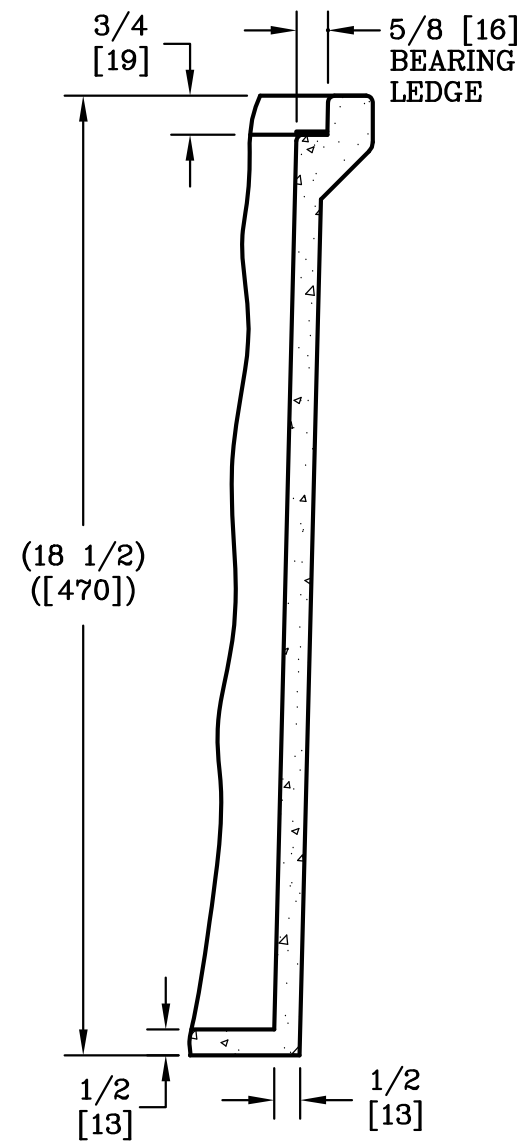
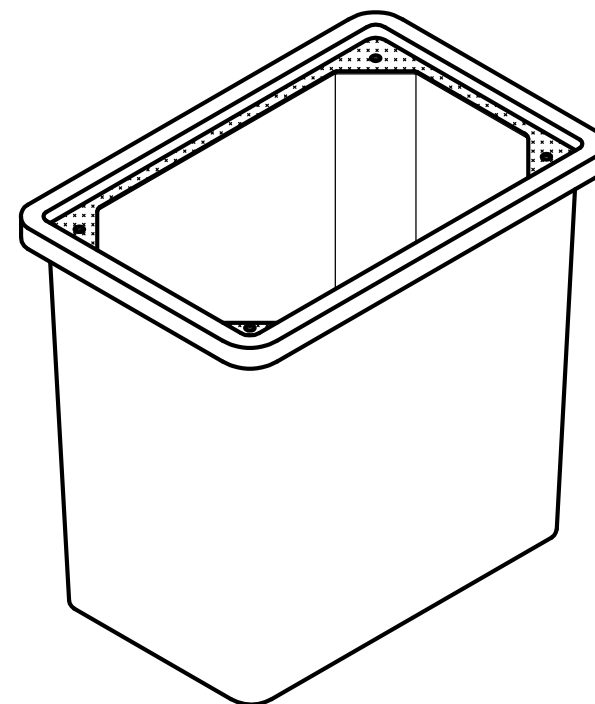
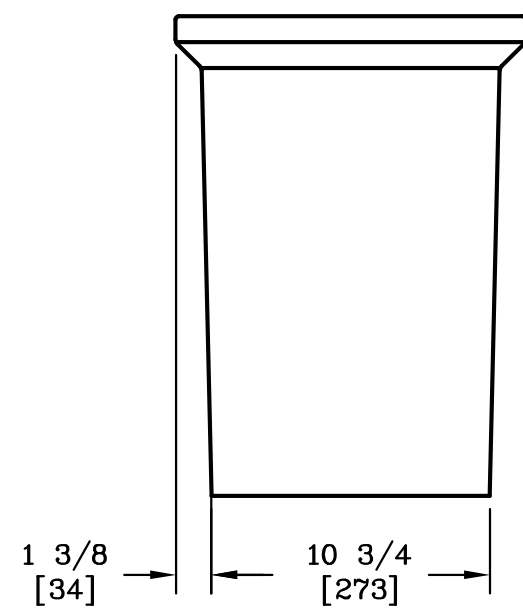
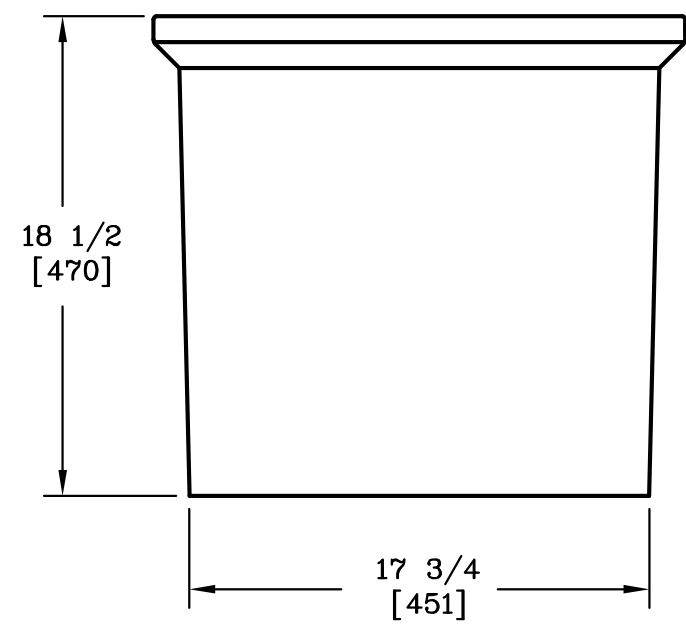


3/8-7 SELF ALIGNING,
REPLACEABLE S.S. EZ-NUT
4 PLACES

1/8 [3] NEOPRENE GASKET



SECTION A-A
SCALE 3"=1'



NOTES:

1. DIMENSIONS IN BRACKETS ARE IN MILLIMETERS UNLESS OTHERWISE NOTED.



DIMENSIONS ARE IN INCHES OR MILLIMETERS IN BRACKETS UNLESS OTHERWISE NOTED.				3621 INDUSTRIAL PARK DR LENOIR CITY, TN 37771 800-346-3062 www.quazite.com	LOC
DRN	BY	DATE	WEIGHT		DRAWING DESCRIPTION
CHK	M&F	8/22/91	62# 28kg	QUAZITE® SOLID BOTTOM BOX W/ GASKET	
ENG	FPD	8/22/91	SCALE		PROJECT NUMBER 91286
APR	FMS	8/23/91	1 1/2"=1'	SHEET 1 OF 1	
APR			SIZE		DRAWING NUMBER PC1118DG18
			B		