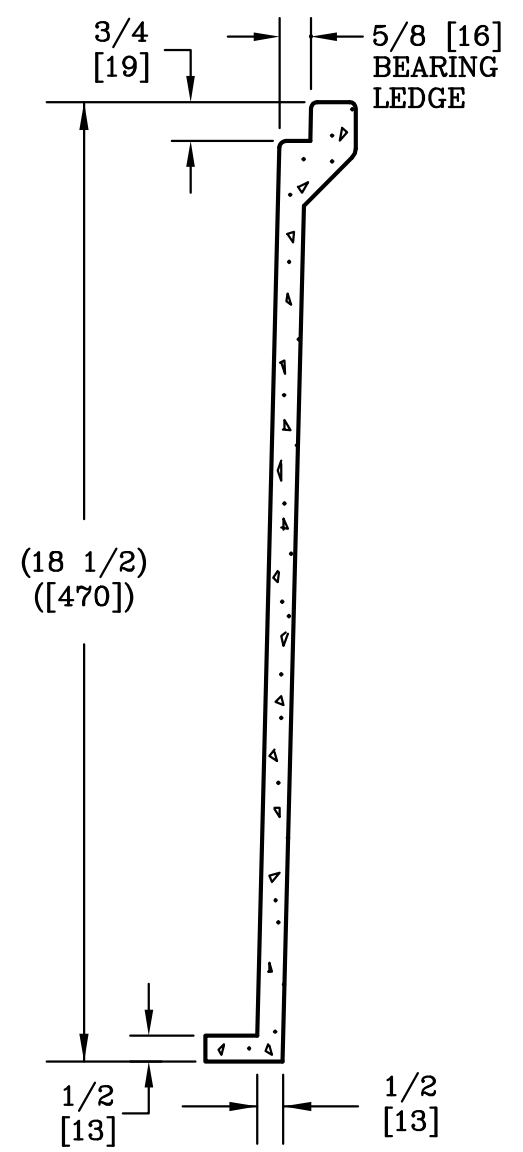
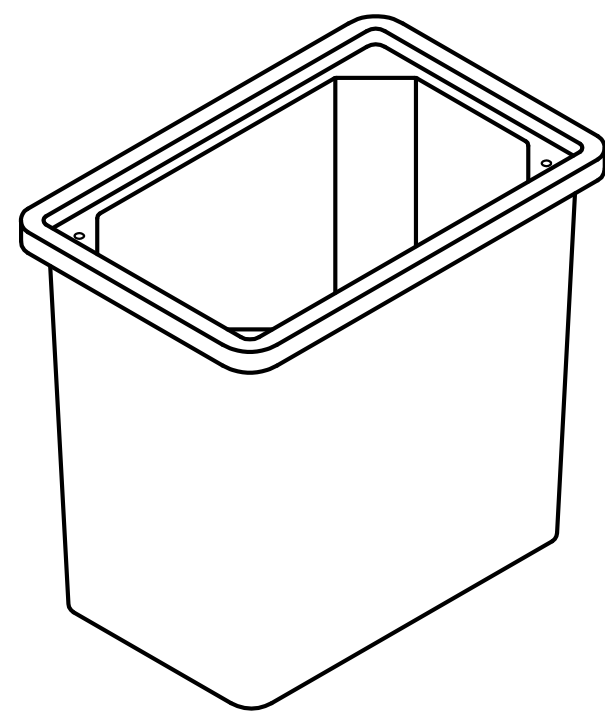
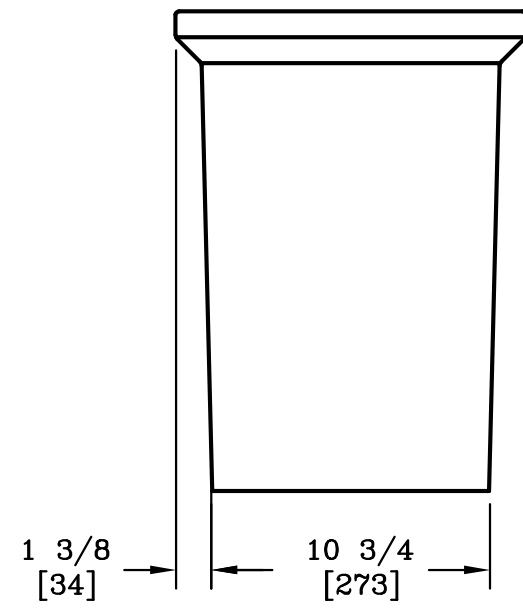
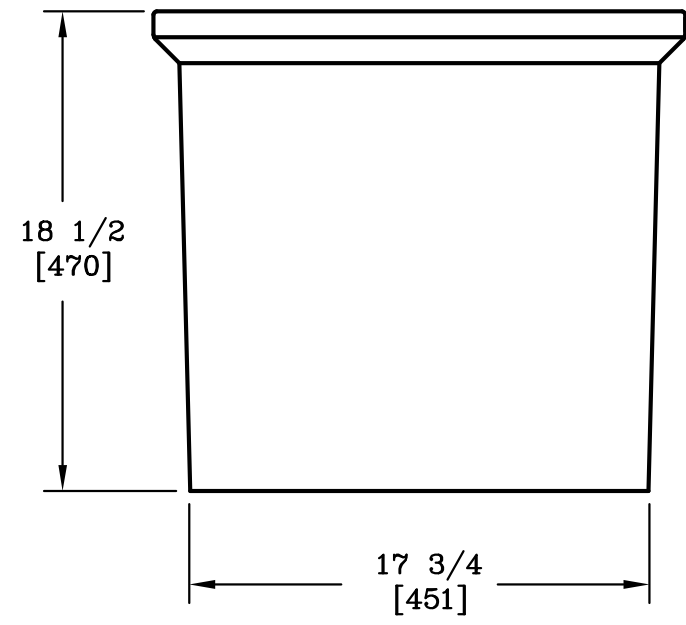


3/8-7 SELF ALIGNING,  
REPLACEABLE S.S. EZ-NUT  
2 PLACES




**SECTION A-A**  
SCALE 3"=1'



**NOTE:**

1. DIMENSIONS IN BRACKETS ARE IN MILLIMETERS UNLESS OTHERWISE NOTED.



DIMENSIONS ARE IN INCHES OR MILLIMETERS IN BRACKETS UNLESS OTHERWISE NOTED.						
DRN	BY	DATE	WEIGHT	 3621 INDUSTRIAL PARK DR LENOIR CITY, TN 37771 800-346-3062 www.quazite.com	LOC	
			59# 27kg			S
CHK	M&F	2/19/90	SCALE	<b>QUAZITE® FOOTED BOX</b>	REV	
ENG	CMB	2/19/90	1 1/2"=1'			G
APR	FMP	2/26/90	SIZE			3/12
APR			B			
PROJECT NUMBER			DRAWING NUMBER			
87439			PC1118JA18			
SHEET 1 OF 1						