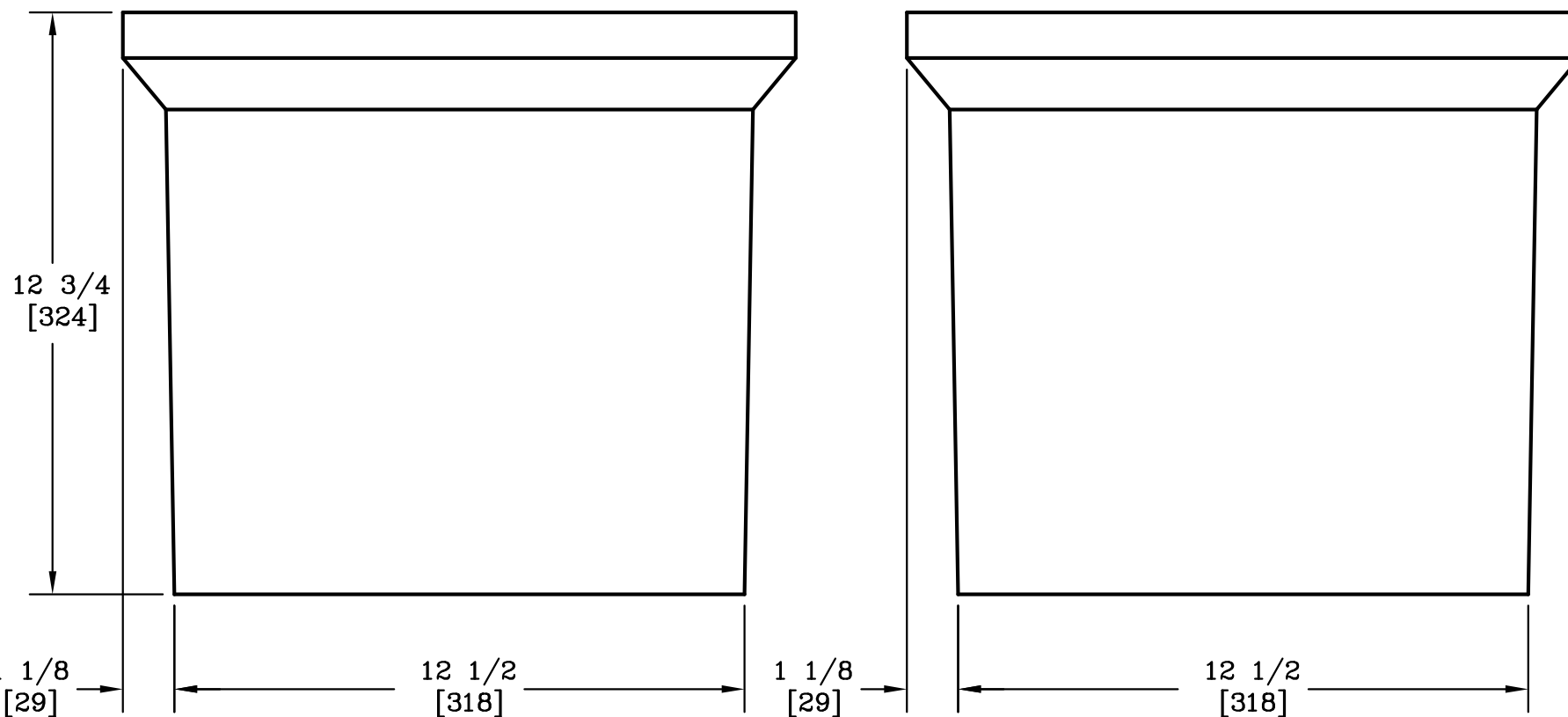



SECTION A-A



NOTE:

1. DIMENSIONS IN BRACKETS ARE IN MILLIMETERS UNLESS OTHERWISE NOTED.



DIMENSIONS ARE IN INCHES OR MILLIMETERS IN BRACKETS UNLESS OTHERWISE NOTED.					
DRN	BY	DATE	WEIGHT	 36# 16kg	3621 INDUSTRIAL PARK DR LENOIR CITY, TN 37771 800-346-3062 www.quazite.com
CHK	ENG	APR	APR		
				3"=1'	DRAWING DESCRIPTION QUAZITE® BOX
				SIZE	
				B	
PROJECT NUMBER				DRAWING NUMBER	
82073				PC1212BA12	
SHEET 1 OF 1					

LOC
 S
 REV
 G
 3/12