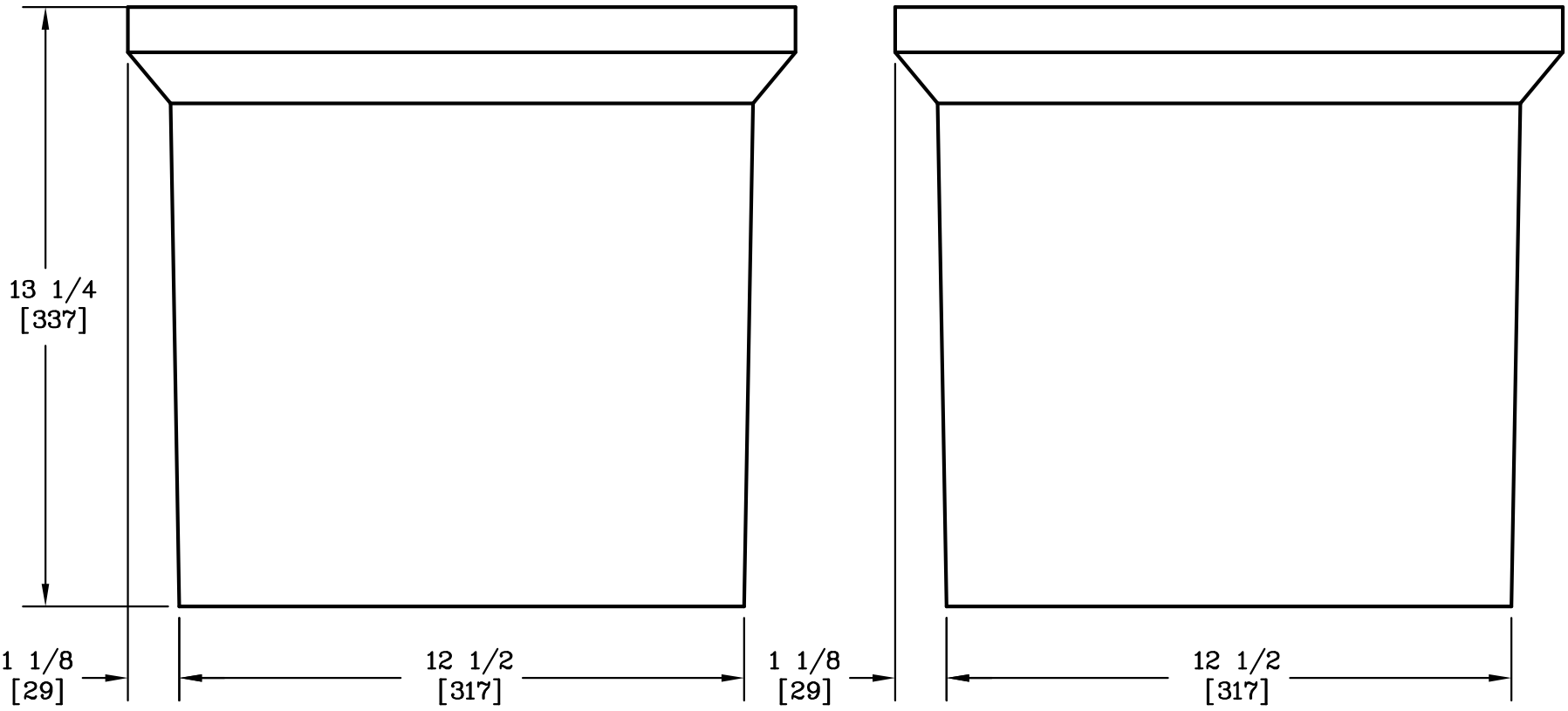



SECTION A-A



NOTE:

1. DIMENSIONS IN BRACKETS ARE IN MILLIMETERS UNLESS OTHERWISE SPECIFIED.

DIMENSIONS ARE IN INCHES OR MILLIMETERS IN BRACKETS UNLESS OTHERWISE NOTED.		WEIGHT 41# 19kg	 3621 INDUSTRIAL PARK DR LENOIR CITY, TN 37771 800-346-3062 www.quazite.com	LOC
DRN	BY <i>RBY</i> DATE 2/8/90	SCALE		DRAWING DESCRIPTION
CHK	<i>MCF</i> 2/8/90	3"=1'	QUAZITE[®] BOX SOLID BOTTOM W/ GASKET	F
ENG	<i>CMC</i> 2/9/90	SIZE		3/12
APR	<i>VJB</i> 2/9/90	B		
PROJECT NUMBER 90063		DRAWING NUMBER PC1212DG12		SHEET 1 OF 1

