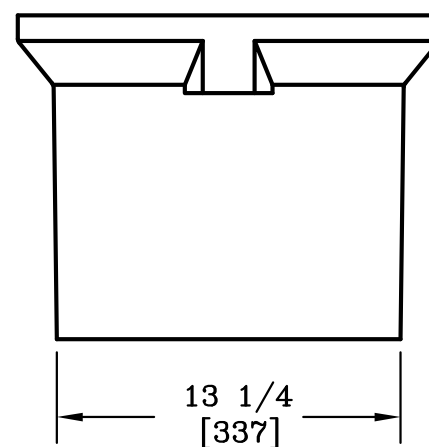
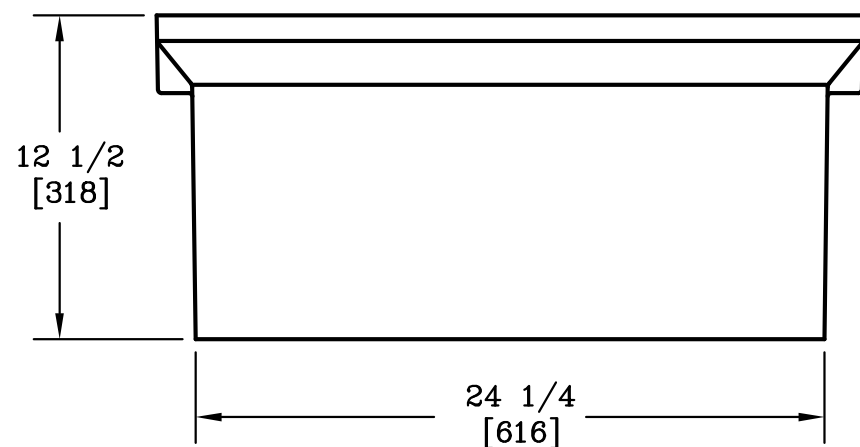


SECTION A-A

NOTE:

1. DIMENSIONS IN BRACKETS ARE IN MILLIMETERS UNLESS NOTED OTHERWISE.



DIMENSIONS ARE IN INCHES OR MILLIMETERS IN BRACKETS UNLESS OTHERWISE NOTED.					
DRN	BY	DATE	WEIGHT	3621 INDUSTRIAL PARK DR LENOIR CITY, TN 37771 800-346-3062 www.quazite.com	LOC
CHK	ENG	APR	APR		S
6/17/04	M&F	6/17/04	63# 29kg	DRAWING DESCRIPTION QUAZITE® BOX	REV
			SCALE		C
			1 1/2"=1'		3/12
			SIZE		
			B		
PROJECT NUMBER			DRAWING NUMBER		
04620			PC1324DG12		
SHEET 1 OF 1					