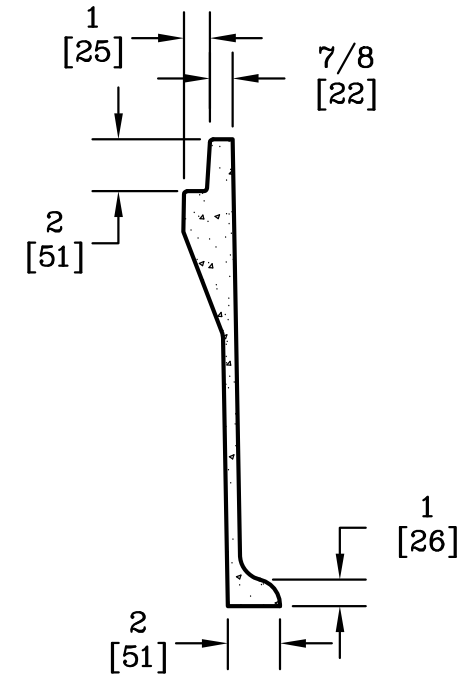
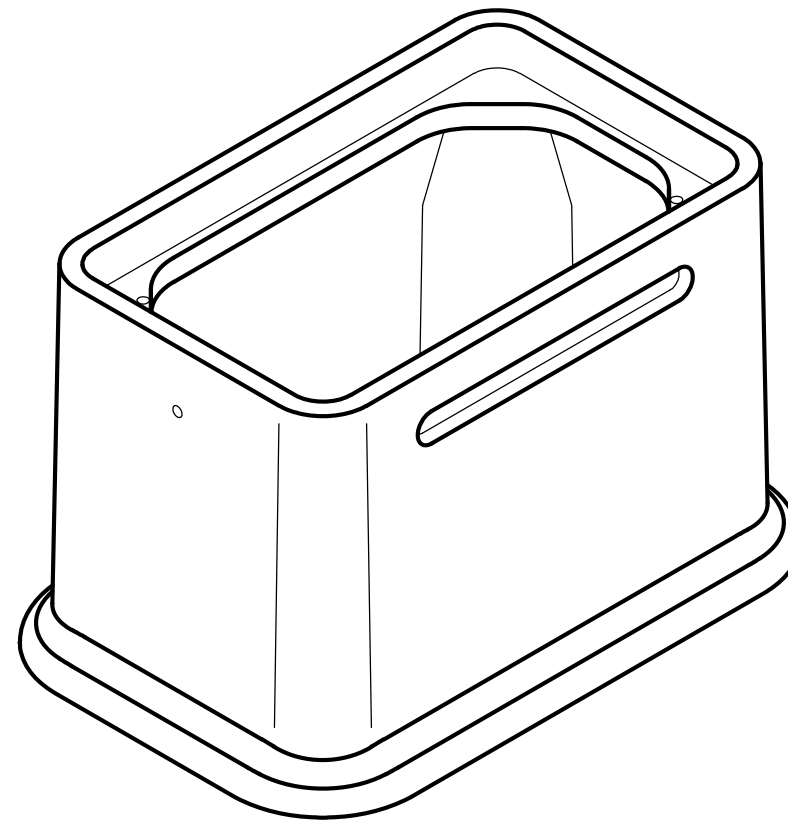
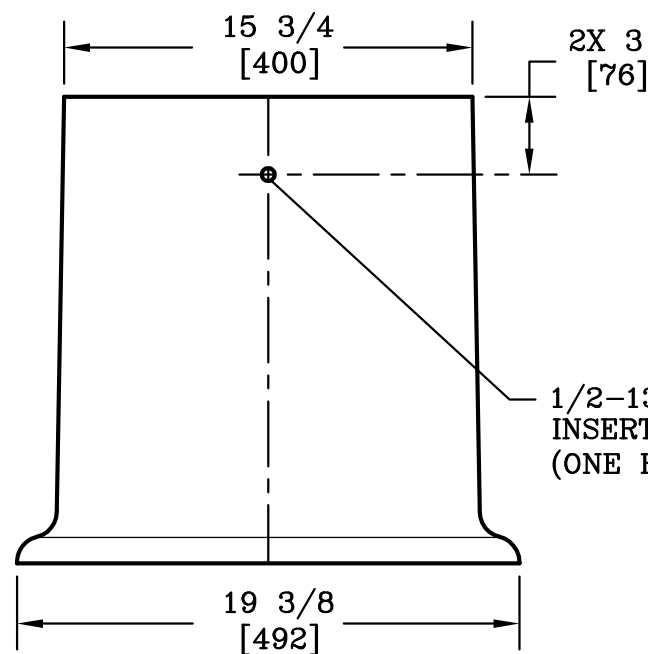
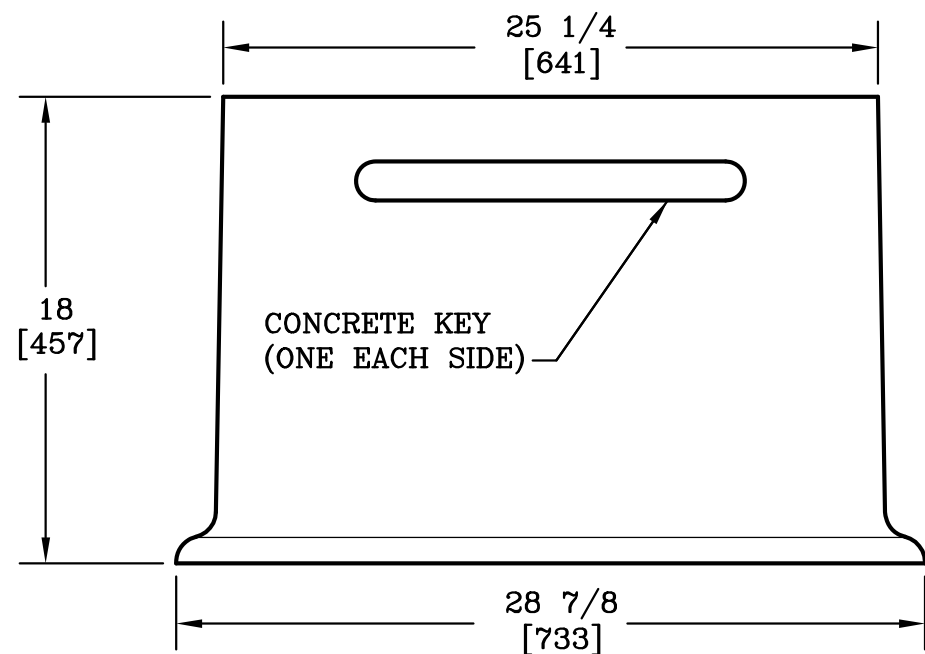


3/8-7 SELF ALIGNING,
REPLACEABLE S.S. EZ-NUT
2 PLACES




SECTION A-A



NOTE:

1. DIMENSIONS IN BRACKETS ARE IN MILLIMETERS UNLESS OTHERWISE SPECIFIED.

DIMENSIONS ARE IN INCHES OR MILLIMETERS IN BRACKETS UNLESS OTHERWISE NOTED.						
DRN	BY	DATE	WEIGHT	 3621 INDUSTRIAL PARK DR LENOIR CITY, TN 37771 800-346-3062 www.quazite.com	LOC	
			104# 47kg			
CHK			SCALE	DRAWING DESCRIPTION QUAZITE® BOX	S	
ENG			1 1/2"=1'		REV	
APR			SIZE			B
APR			B			3/12
PROJECT NUMBER					DRAWING NUMBER	
06929					SHEET 1 OF 1	PD1324BA18