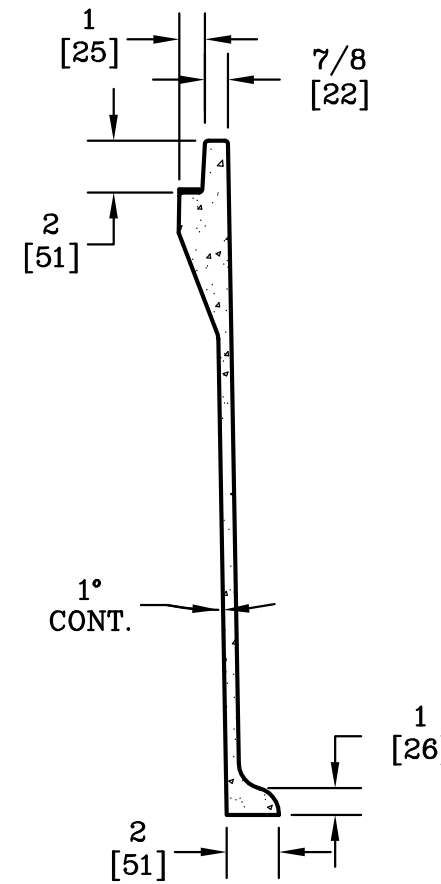
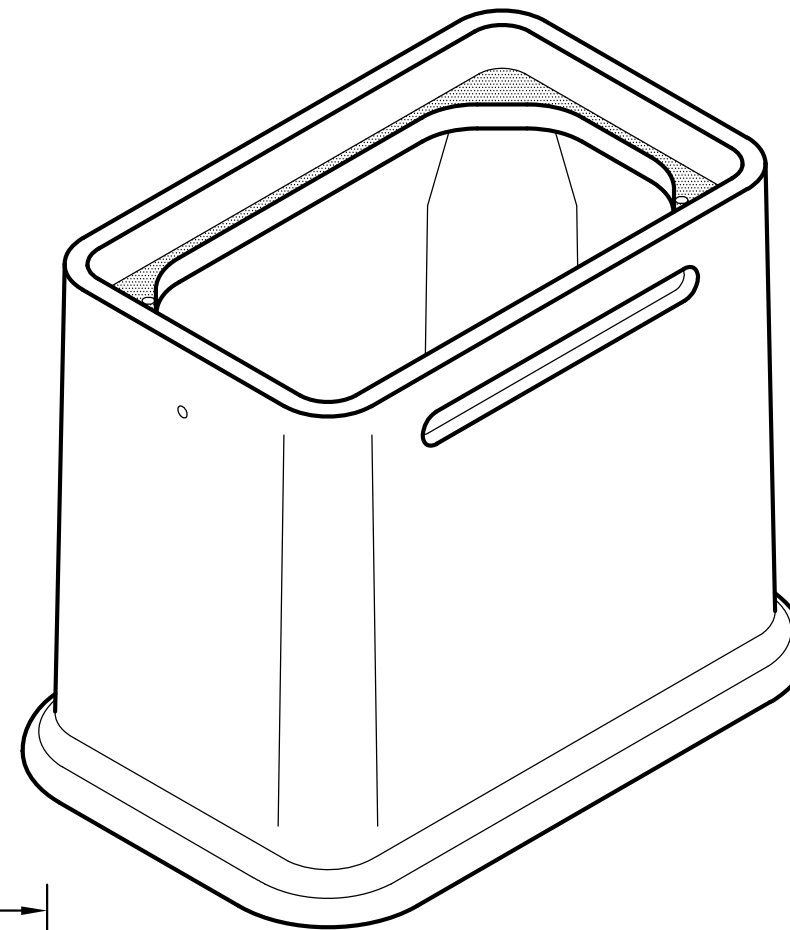
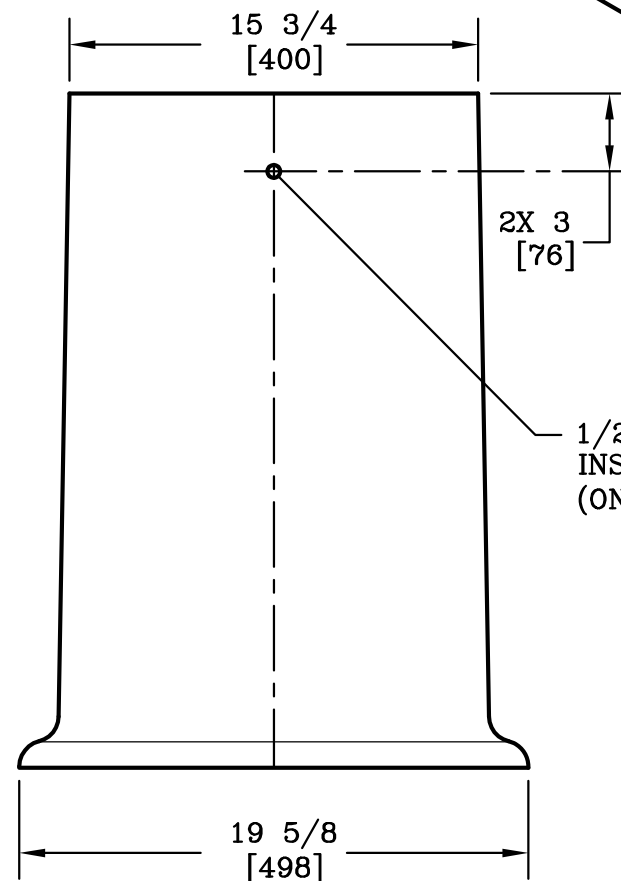
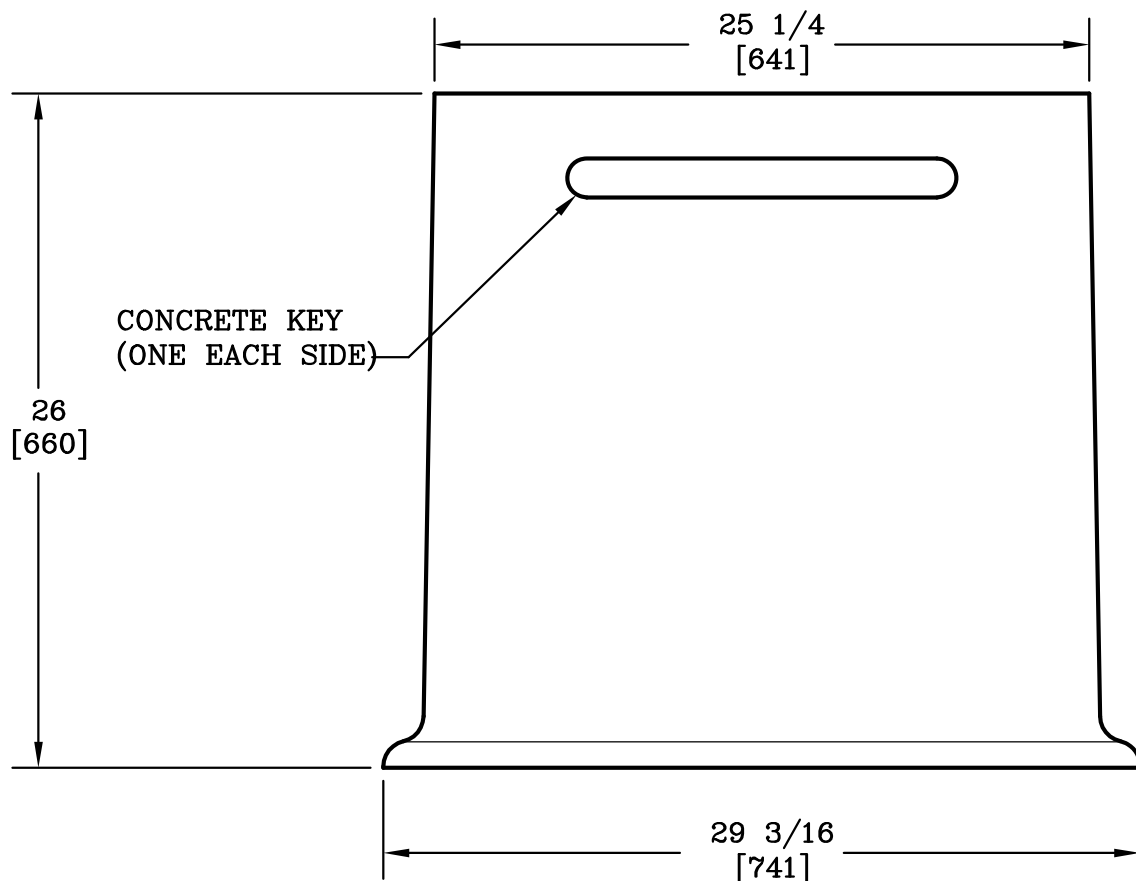


1/8 [3] NEOPRENE GASKET

3/8-7 SELF ALIGNING, REPLACEABLE S.S. EZ-NUT 2 PLACES




SECTION A-A



NOTE:

1. DIMENSIONS IN BRACKETS ARE IN MILLIMETERS UNLESS OTHERWISE SPECIFIED.

DIMENSIONS ARE IN INCHES OR MILLIMETERS IN BRACKETS UNLESS OTHERWISE NOTED.						
DRN	BY	DATE	WEIGHT	 3621 INDUSTRIAL PARK DR LENOIR CITY, TN 37771 800-346-3062 www.quazite.com	LOC	
CHK			133#			
ENG			60kg			
APR			SCALE			
APR			1 1/2"=1'			
PROJECT NUMBER			SIZE	QUAZITE[®] BOX	B	3/12
06934			B			
SHEET 1 OF 1			DRAWING NUMBER			
				PD1324BG26		