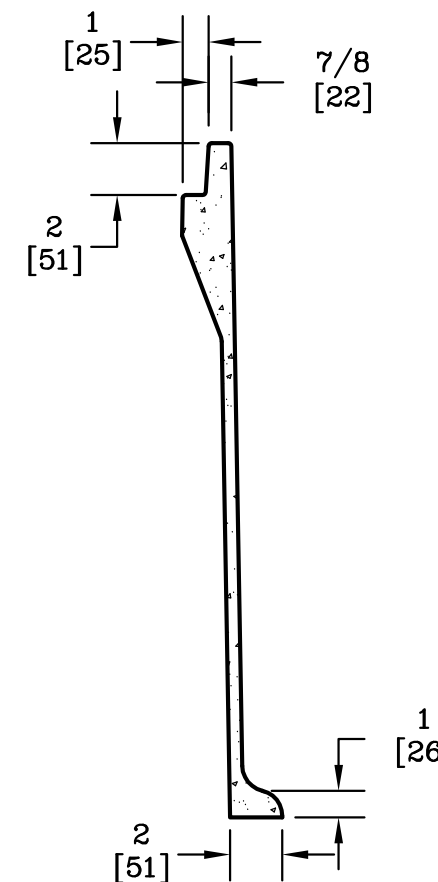
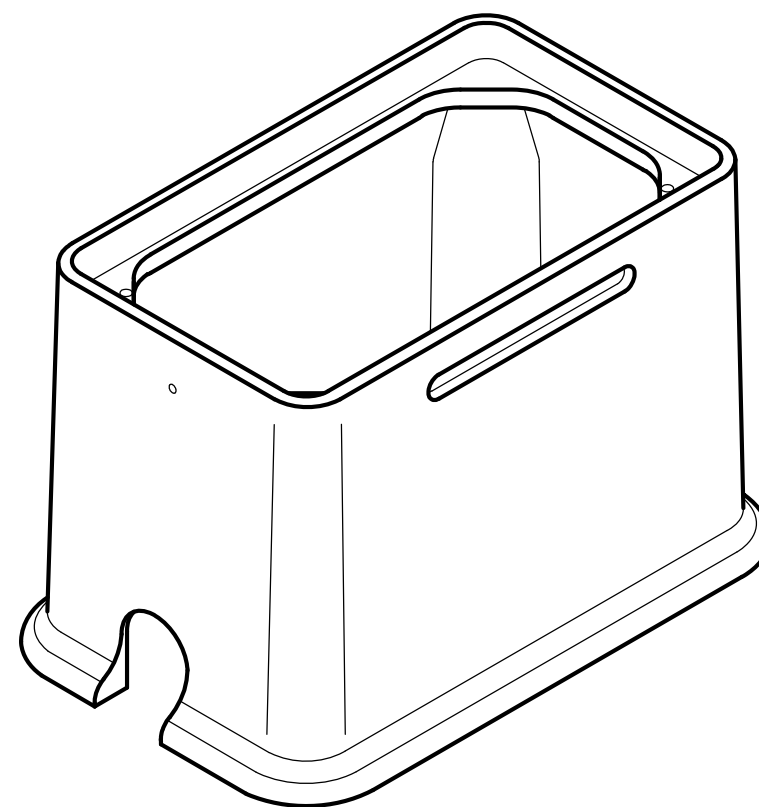
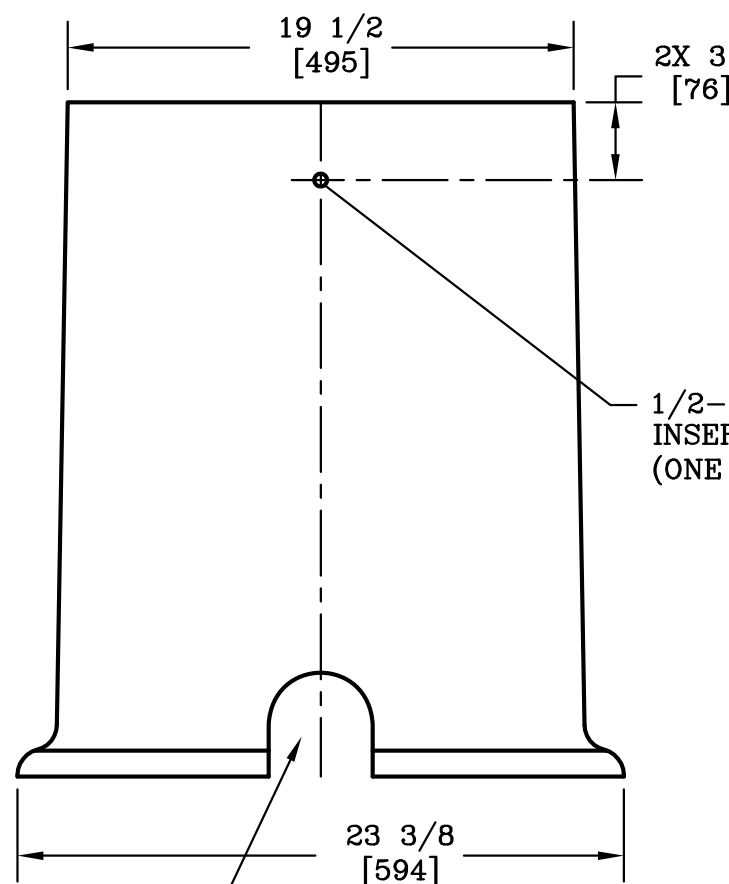
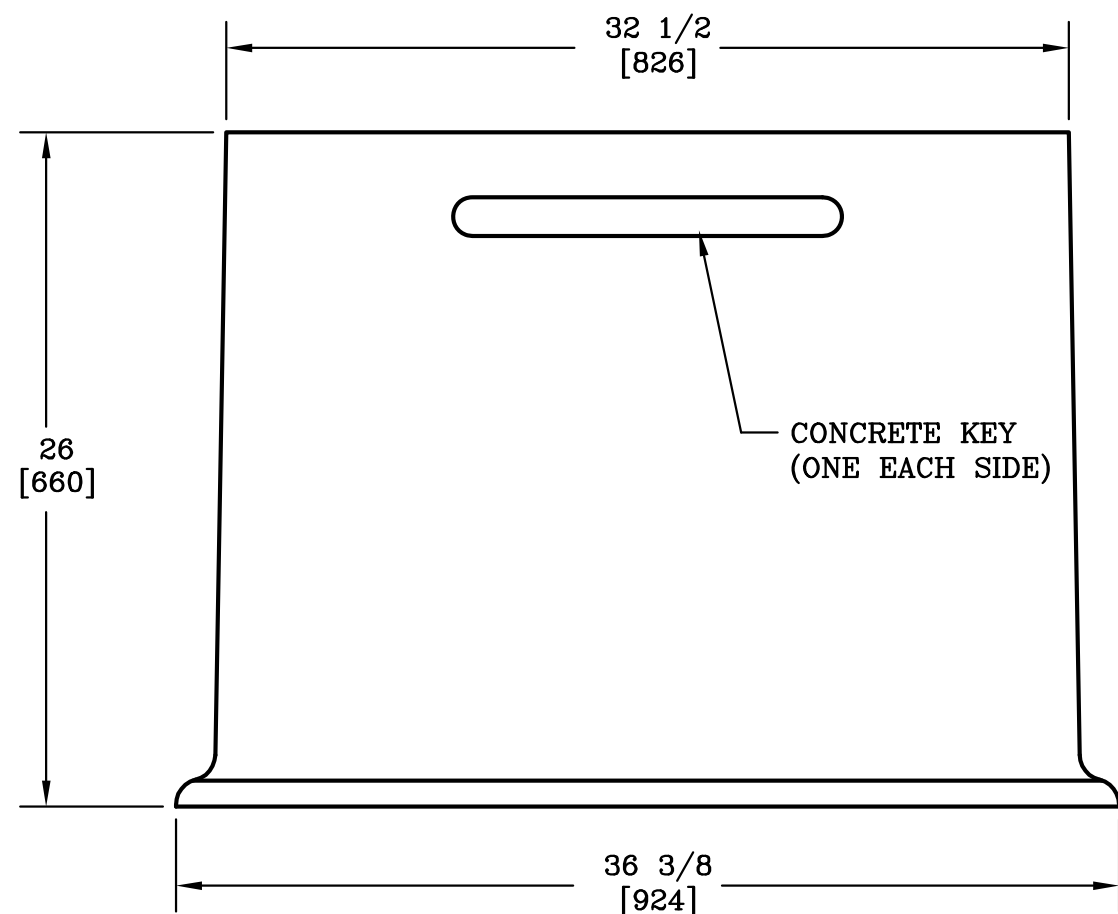


3/8-7 SELF ALIGNING,
REPLACEABLE S.S. EZ-NUT
2 PLACES





SECTION A-A



NOTE:

1. DIMENSIONS IN BRACKETS ARE IN MILLIMETERS UNLESS OTHERWISE SPECIFIED.

ALL DIMENSIONS ARE IN INCHES UNLESS OTHERWISE SPECIFIED						
DSN	BY	DATE	WEIGHT		3621 INDUSTRIAL PARK DR LENOIR CITY, TN 37771 865 986-9726	LOC
			166# 75kg			HQ
DRN	<i>JJP</i>	11/21/08	SCALE		LENOIR CITY, INC.	S
CHK	<i>RJ</i>	11/27/06	1 1/2"=1'			REV
ENG			SIZE	QUAZITE[®] BOX		B
APR	<i>M&F</i>	11/27/06	B			3/12
APR						
JOB NUMBER				DRAWING NUMBER		
06939				PD1730BB26		
SHEET 1 OF 1						