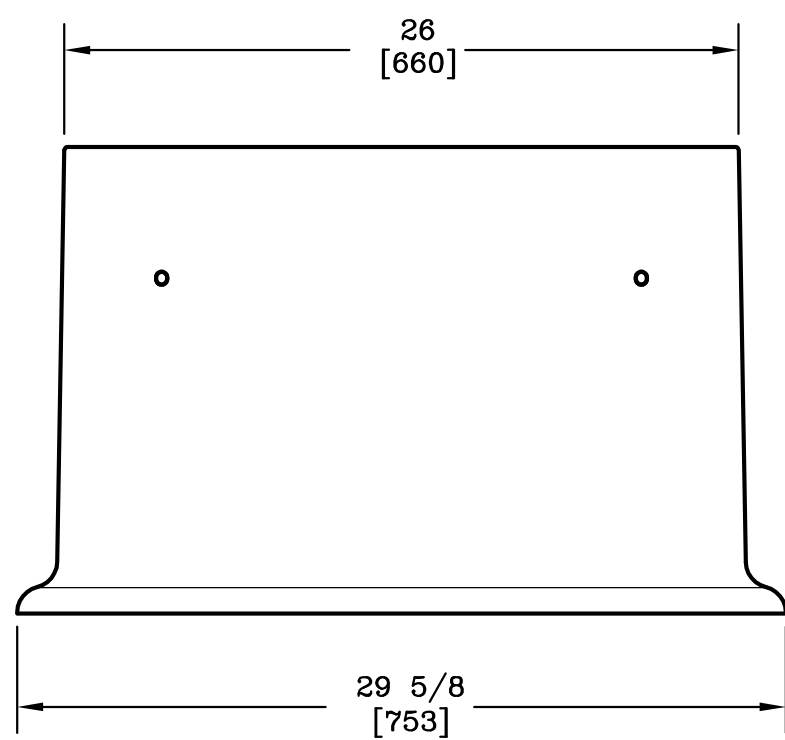
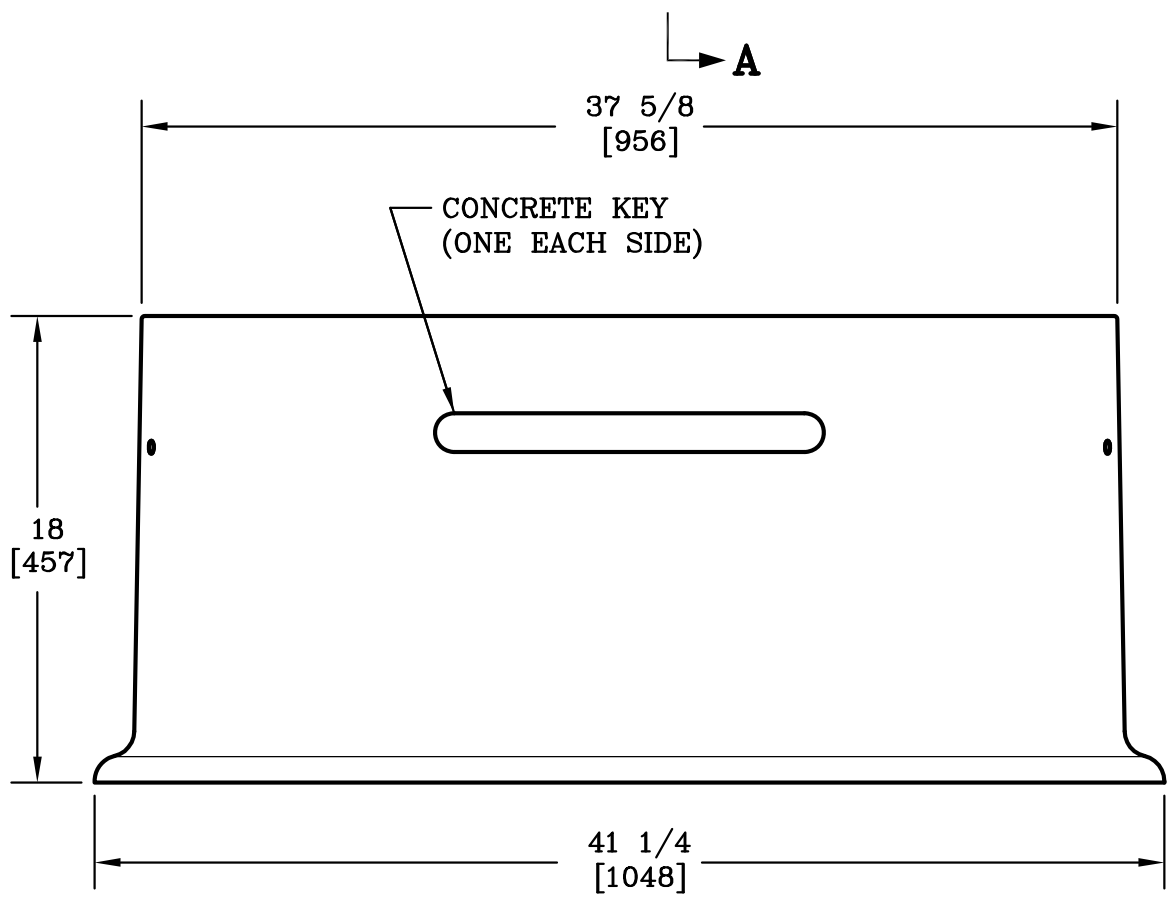


**SECTION A-A**  
 SCALE: HALF



**NOTE:**  
 1. DIMENSIONS IN BRACKETS ARE IN MILLIMETERS UNLESS OTHERWISE SPECIFIED.

DIMENSIONS ARE IN INCHES OR MILLIMETERS IN BRACKETS UNLESS OTHERWISE NOTED.				3621 INDUSTRIAL PARK DR LENOIR CITY, TN 37771 800-346-3062 www.quazite.com	LOC
DRN	BY	DATE	WEIGHT		DRAWING DESCRIPTION
CHK	ENG	SCALE	159# 72kg	<b>QUAZITE<sup>®</sup> BOX</b>	
APR	APR	SIZE	1 1/2"=1'		B
APR			B		3/12
PROJECT NUMBER				DRAWING NUMBER	
06832				PD2436BA18	
SHEET 1 OF 1					