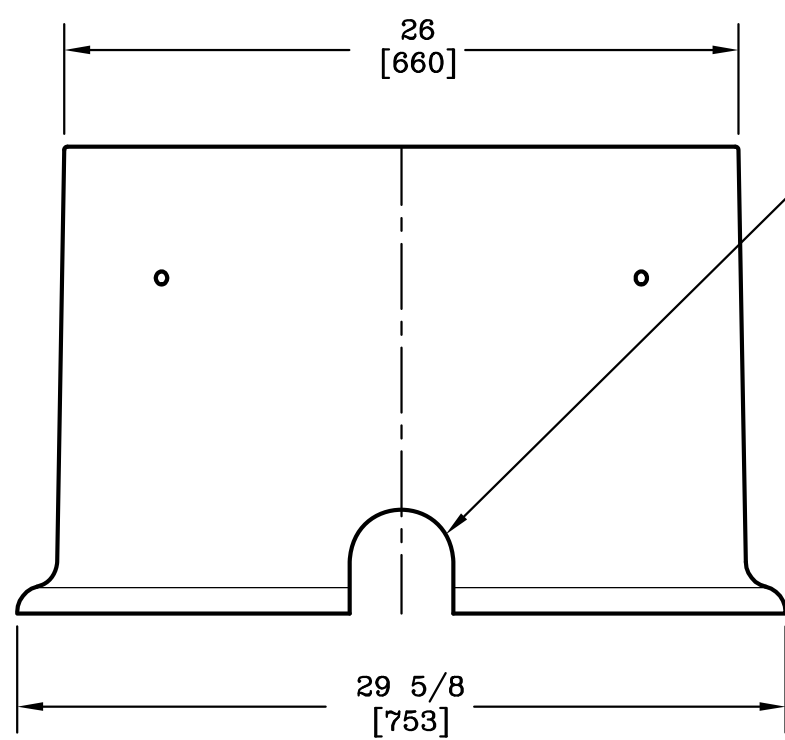
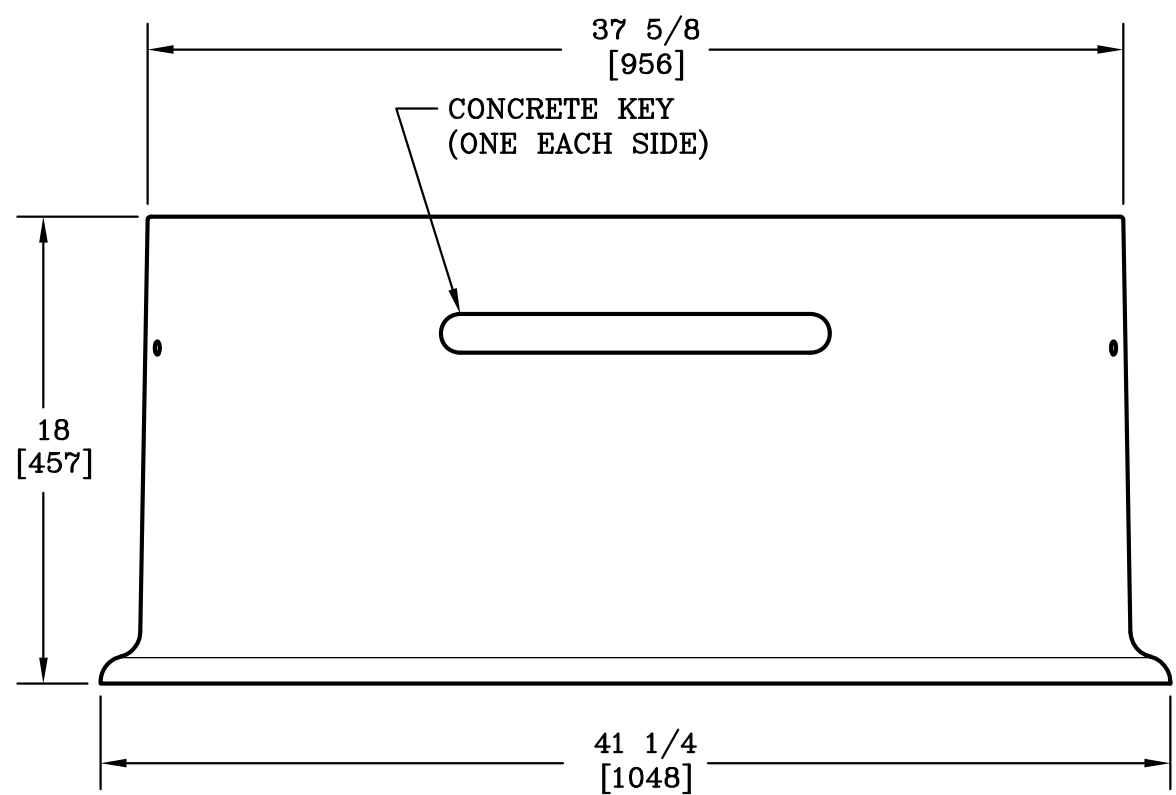



**SECTION A-A**  
 SCALE: HALF



**NOTE:**  
 1. DIMENSIONS IN BRACKETS ARE IN MILLIMETERS UNLESS OTHERWISE SPECIFIED.

ALL DIMENSIONS ARE IN INCHES UNLESS OTHERWISE SPECIFIED						
DSN	BY	DATE	WEIGHT	 3621 INDUSTRIAL PARK DR LENOIR CITY, TN 37771 865 986-9726	LOC	HQ
DRN	<i>JJP</i>	11/21/08	159# 72kg		S	
CHK	<i>RJ</i>	11/22/06	SCALE	LENOIR CITY, INC.	REV	B
ENG			1 1/2"=1'	DRAWING TITLE	3/12	
APR	<i>M&amp;F</i>	11/27/06	SIZE	<b>QUAZITE<sup>®</sup> BOX</b>	DRAWING NUMBER <b>PD2436BB18</b>	
APR			B			
JOB NUMBER				SHEET 1 OF 1		
<b>06941</b>						