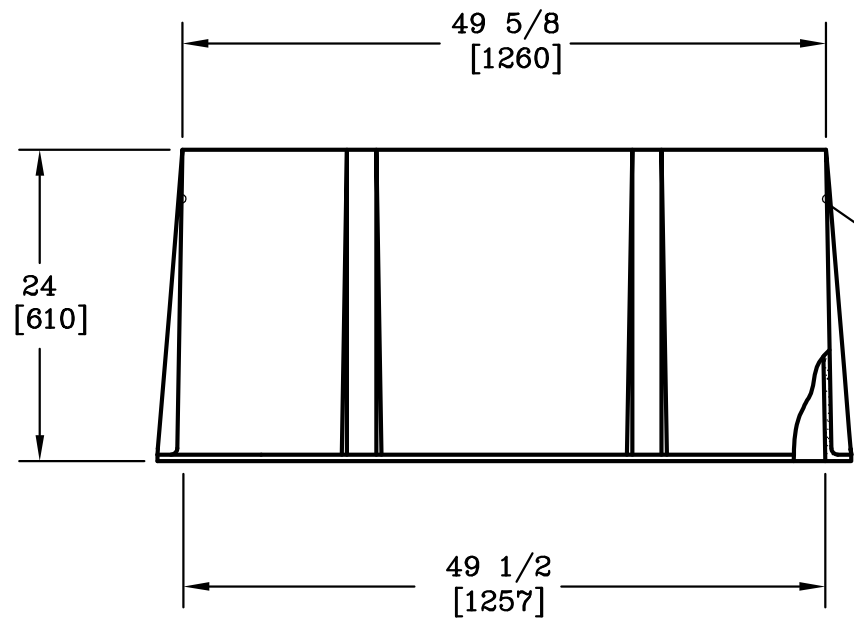
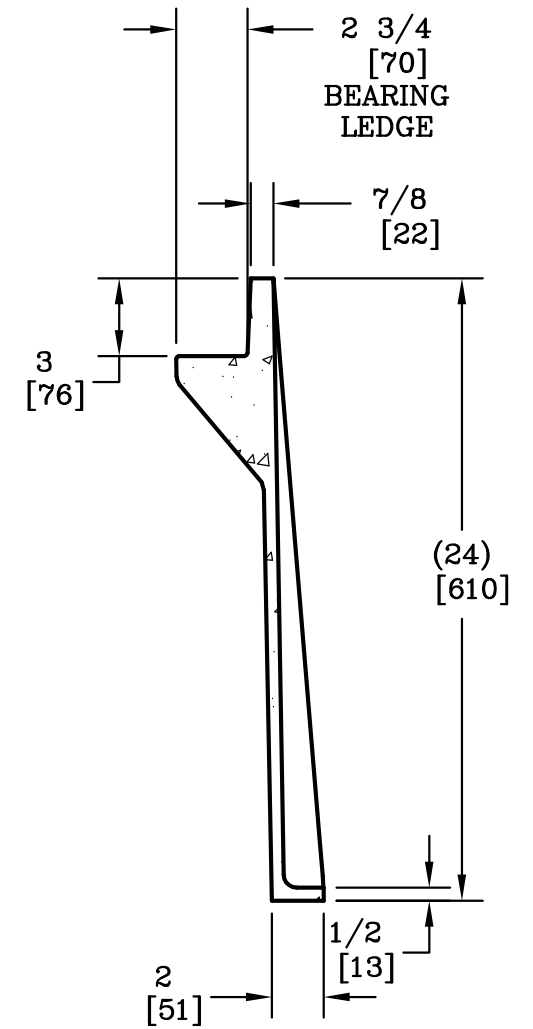
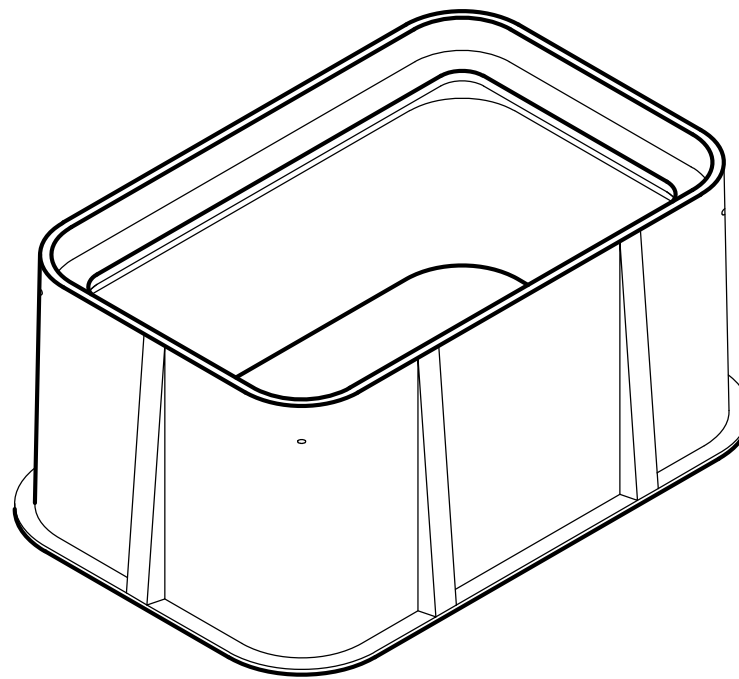
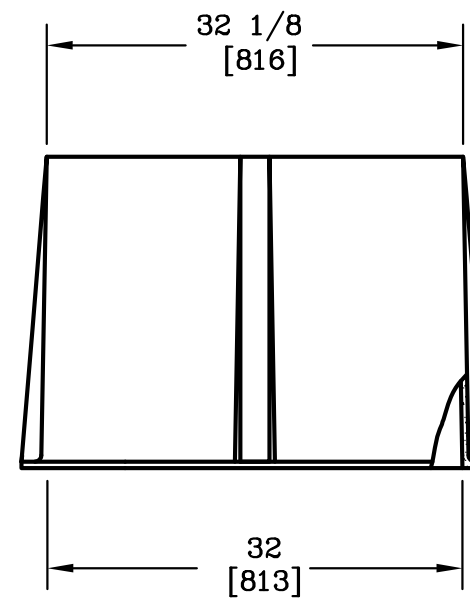


3/8-7 S.S.
INSERT (2 PLACES)




1/2-13 UNC
LIFTING INSERT
4 PLACES



NOTE:

1. DIMENSIONS IN BRACKETS ARE IN MILLIMETERS
UNLESS NOTED OTHERWISE.

DIMENSIONS ARE IN INCHES OR MILLIMETERS IN BRACKETS UNLESS OTHERWISE NOTED.						
DRN	BY	DATE	WEIGHT	 3621 INDUSTRIAL PARK DR LENOIR CITY, TN 37771 800-346-3062 www.quazite.com	LOC	
			299# 136kg			
CHK			SCALE	DRAWING DESCRIPTION QUAZITE® BOX	S REV	
ENG			3/4"=1'		C	
APR			SIZE		3/12	
APR			B			
PROJECT NUMBER				DRAWING NUMBER		
99109				PD3048BA24		
SHEET 1 OF 1						