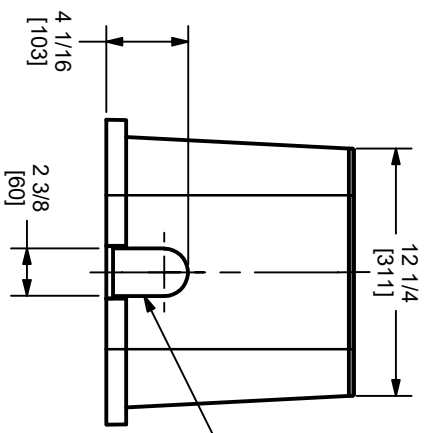
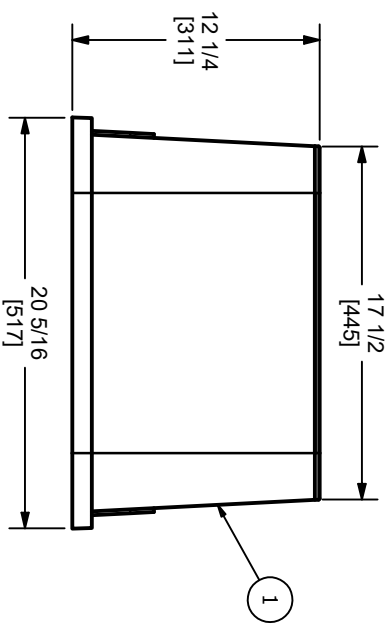
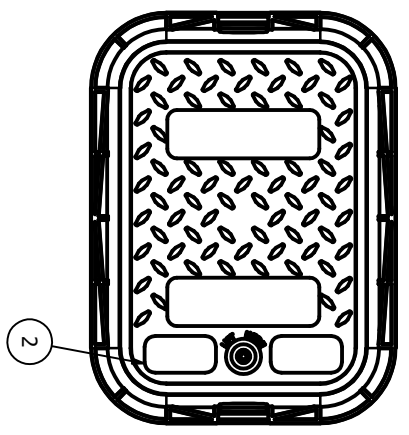


PARTS LIST					
ITEM	CATEGORY	PART NUMBER	DESCRIPTION	QTY	BASE UNIT
1	L	PE1015GSI01	PENCELL BOX	1	Each
2	L	PE1015PLI00	PENCELL COVER	1	Each



MOUSEHOLE KNOCKOUT  
(1 EACH END)

NOTE:

1. LOGO TO BE SPECIFIED BY CUSTOMER.
2. MATERIAL TO BE HDPE.
3. COLOR TO BE GREEN.

DIMENSIONS ARE IN INCHES OR MILLIMETERS, UNLESS OTHERWISE NOTED		DRAWING NUMBER: PE1015HDD000	
BY	DATE	WEIGHT	LOC
JTP	10/24/18	9#	LC
CHK		4KG	S
ENGS		SCALE	REV
ARR		NYS	A
APP		SIZE	
ESR #		B	
121939		SHEET 1 OF 1	
PENCELL® ASSEMBLY		10/18	



3621 INDUSTRIAL PARK DR  
LENDOR CITY, TN 37771  
www.dunellie.com