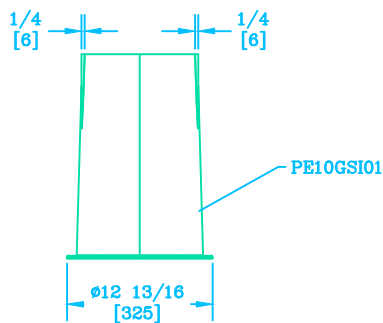
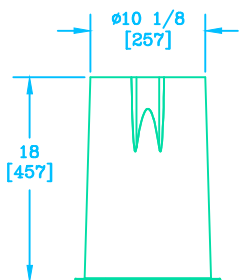


3/8-16 UNC S.S.
CAPTIVE HEX HEAD BOLT
2 PLACES



3/8-16 UNC S.S. INSERT
2 PLACES




PE10GSI01

NOTES:

1. MATERIAL TO BE HDPE PLASTIC.
2. COLOR TO BE MUNSSELL GREEN.

CUSTOMER APPROVAL
 APPROVED BY: _____
 DATE: _____

DIMENSIONS ARE IN INCHES OR MILLIMETERS IN BRACKETS UNLESS OTHERWISE NOTED.						
DRN	BY	DATE	WEIGHT	 3621 INDUSTRIAL PARK DR LENOIR CITY, TN 37771 800-346-3062 www.quazite.com	LOC	
			7# 3kg		LC	
CHK			SCALE	DRAWING DESCRIPTION PENCELL® ENCLOSURE	REV	
ENG			NTS		A	
APR			SIZE			
APR			B		9/14	
PROJECT NUMBER				SHEET 1 OF 1	DRAWING NUMBER PE10HDH00	