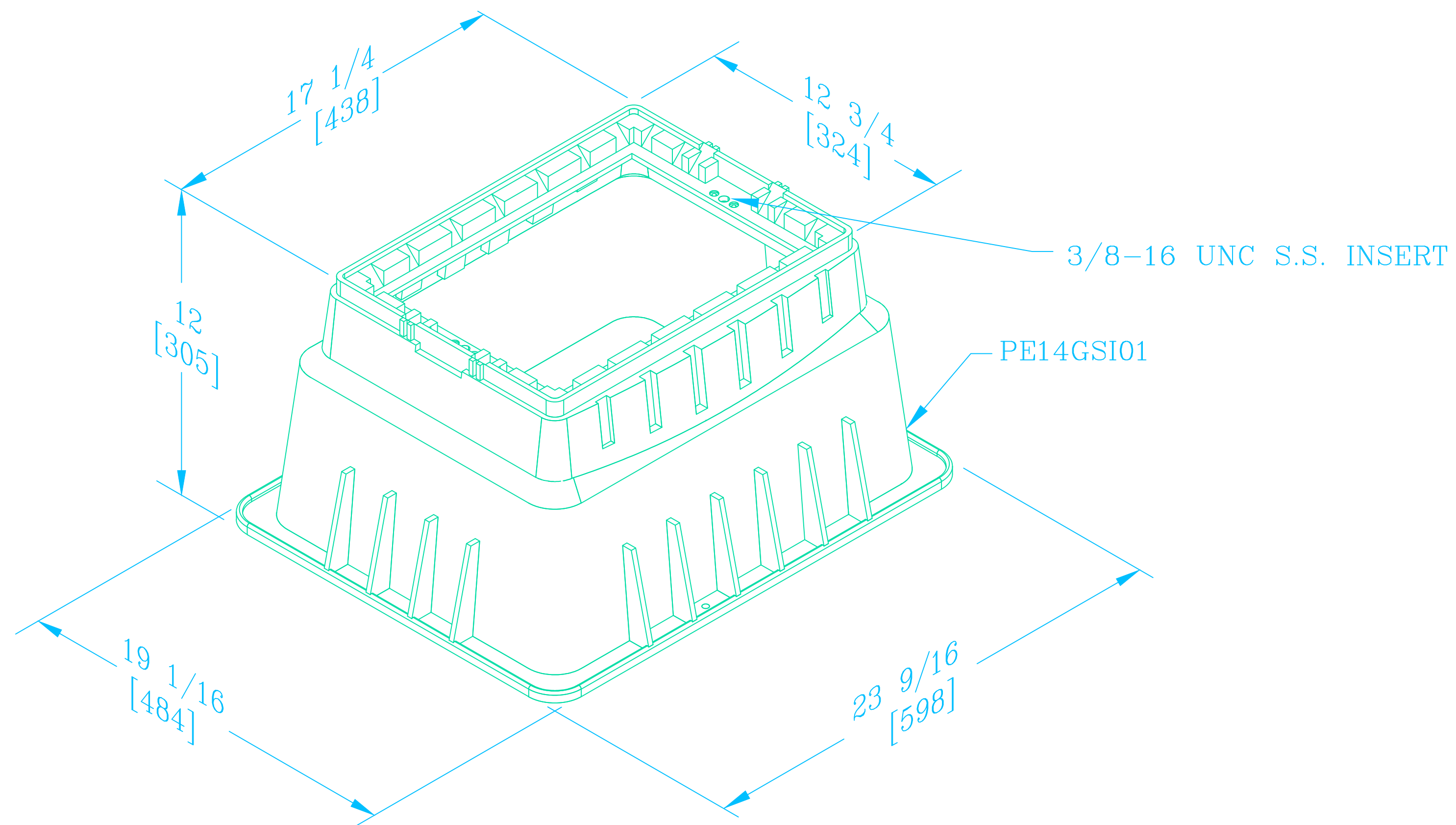
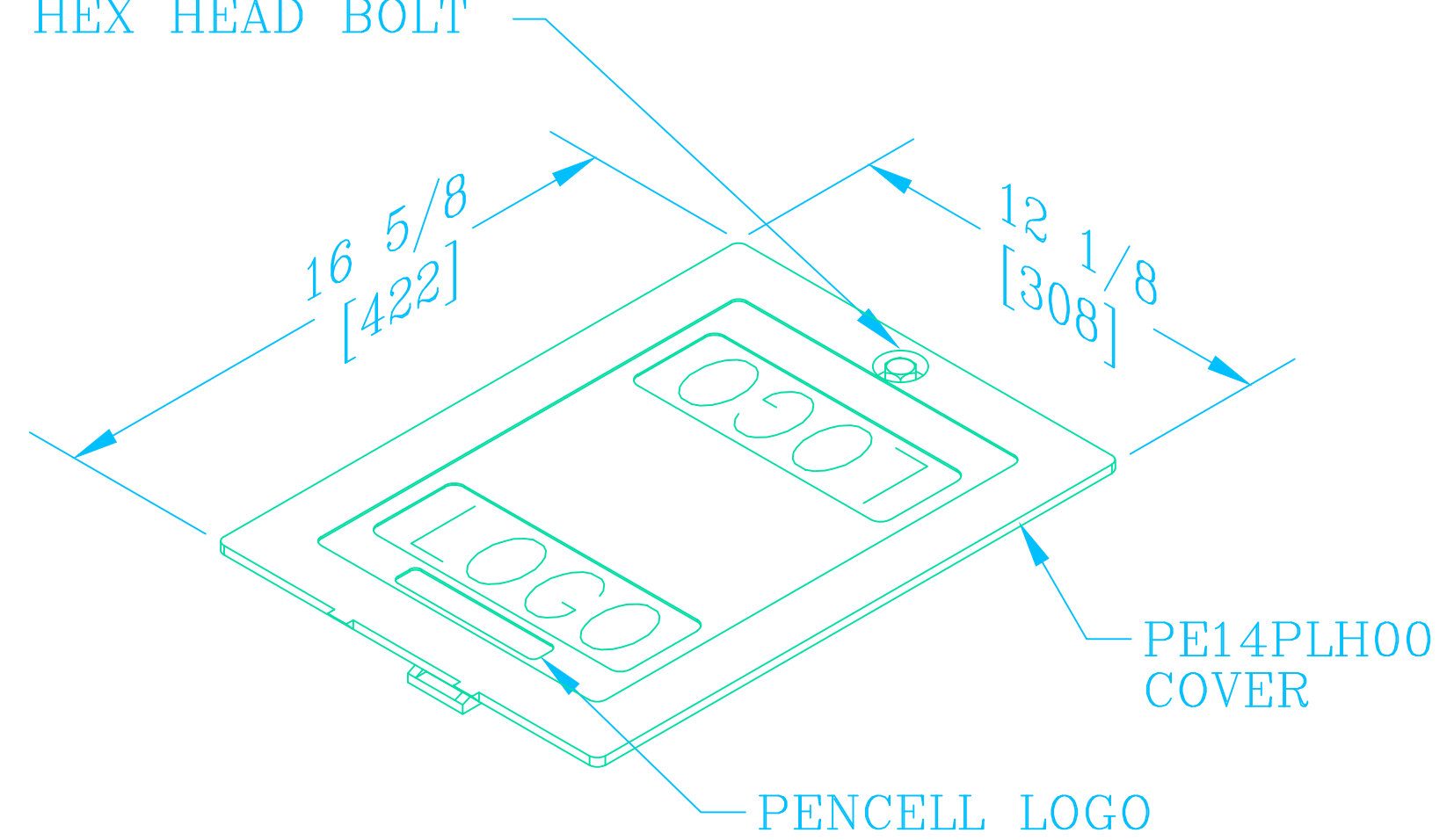


3/8-16 UNC S.S.  
CAPTIVE HEX HEAD BOLT




CUSTOMER APPROVAL

APPROVED BY: \_\_\_\_\_  
DATE: \_\_\_\_\_

NOTES:

- LOGO TO BE SPECIFIED: \_\_\_\_\_.
- THIS ASSEMBLY HAS A LOAD RATING OF 5,000 LBS.

DIMENSIONS ARE IN INCHES OR MILLIMETERS IN BRACKETS UNLESS OTHERWISE NOTED.					
	BY	DATE	WEIGHT	 3621 INDUSTRIAL PARK DR LENOIR CITY, TN 37771 800-346-3062 www.quazite.com	LOC
DRN	<i>RJ</i>	9/23/14	13 lbs 5.9kg		LC
CHK			SCALE	DRAWING DESCRIPTION PENCELL® 12 X 17 X 12 ASSEMBLY	REV
ENG			NTS		A
APR			SIZE		
APR			B		9/14
PROJECT NUMBER				SHEET 1 OF 1	DRAWING NUMBER PE14HDH00