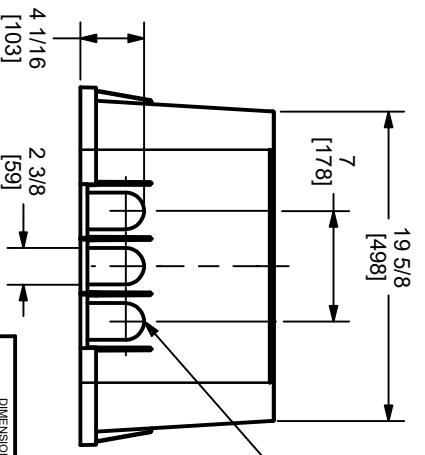
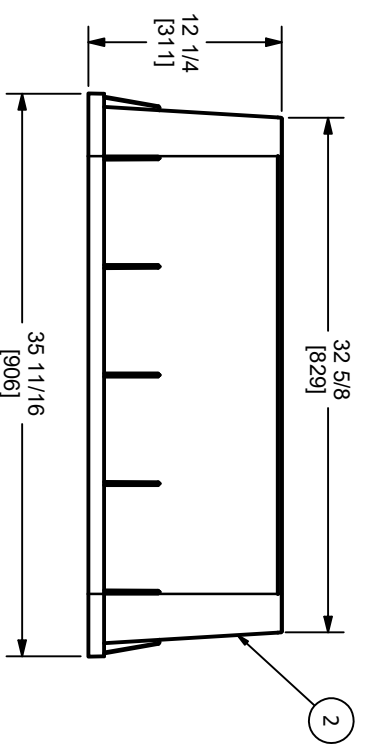
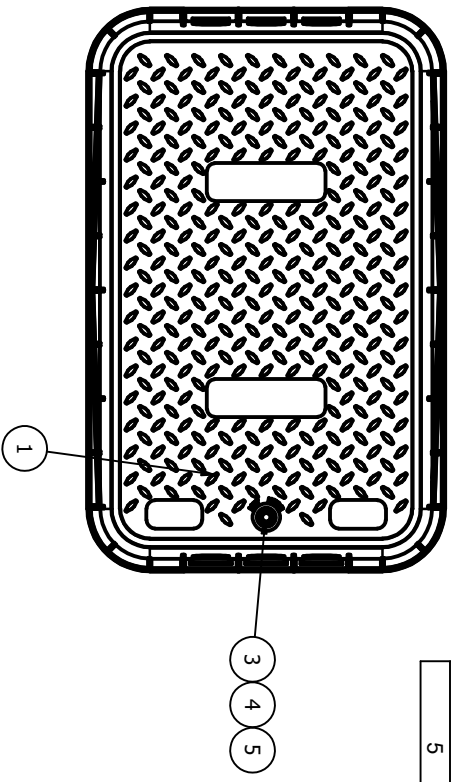


PARTS LIST					
ITEM	CATEGORY	PART NUMBER	DESCRIPTION	QTY	BASE UNIT
1	L	PE1730PL100	PENCELL COVER	1	Each
2	L	PE1730GS101	PENCELL BOX	1	Each
3	L	RM01033	BOLT SS 3/8-16 X 1 3/4 HEX	1	Each
4	L	RM02011SS	WASHER SS 3/8 ID X 1.000 OD FL	1	Each
5	L	RM07113	WASHER NYLON RETAINING	1	Each



MOUSEHOLE KNOCKOUT
(3 EACH END)

- NOTE:
1. LOGO TO BE SPECIFIED BY CUSTOMER.
 2. MATERIAL TO BE HDPE.
 3. COLOR TO BE GREEN.

DIMENSIONS ARE IN INCHES OR MILLIMETERS, IN BRACKETS UNLESS OTHERWISE NOTED

BY	DATE	WEIGHT	LOC
JWP	5/14/19	26.5#	LC
CHK	5/14/19	12KG	S
ENG			
ARR			
APP			
ESR #			

SCALE: NTS

DRAWING DESCRIPTION: PENCELL ASSEMBLY

DRAWING NUMBER: PE1730HDH00

SHEET 1 OF 1

REV: A

5/19

4 3 2 1