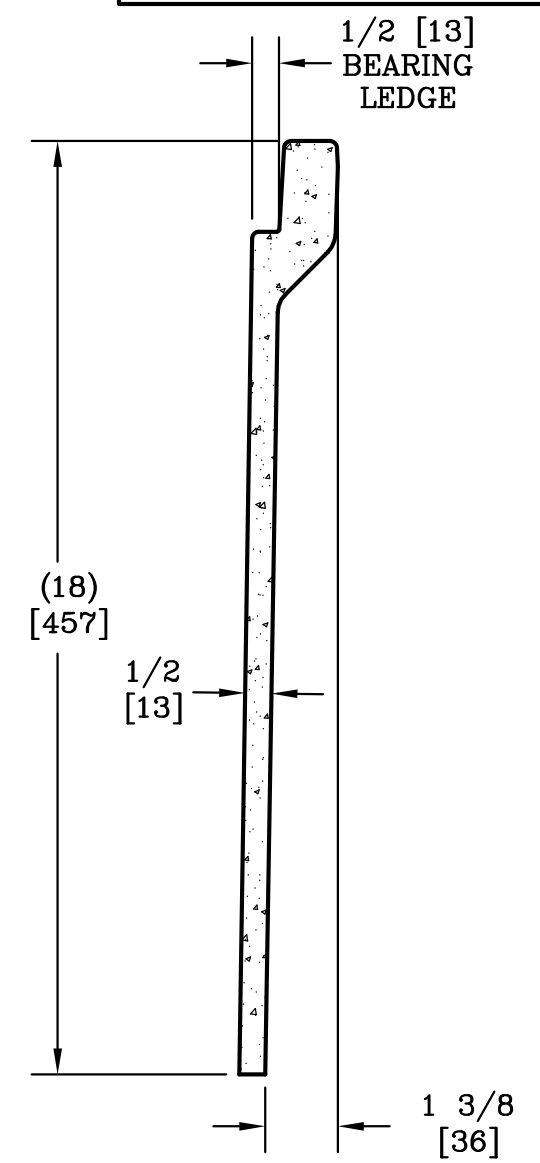
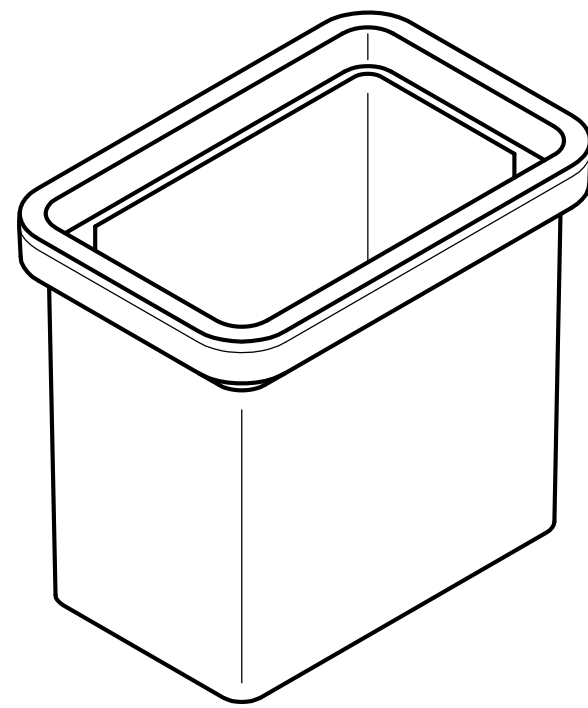
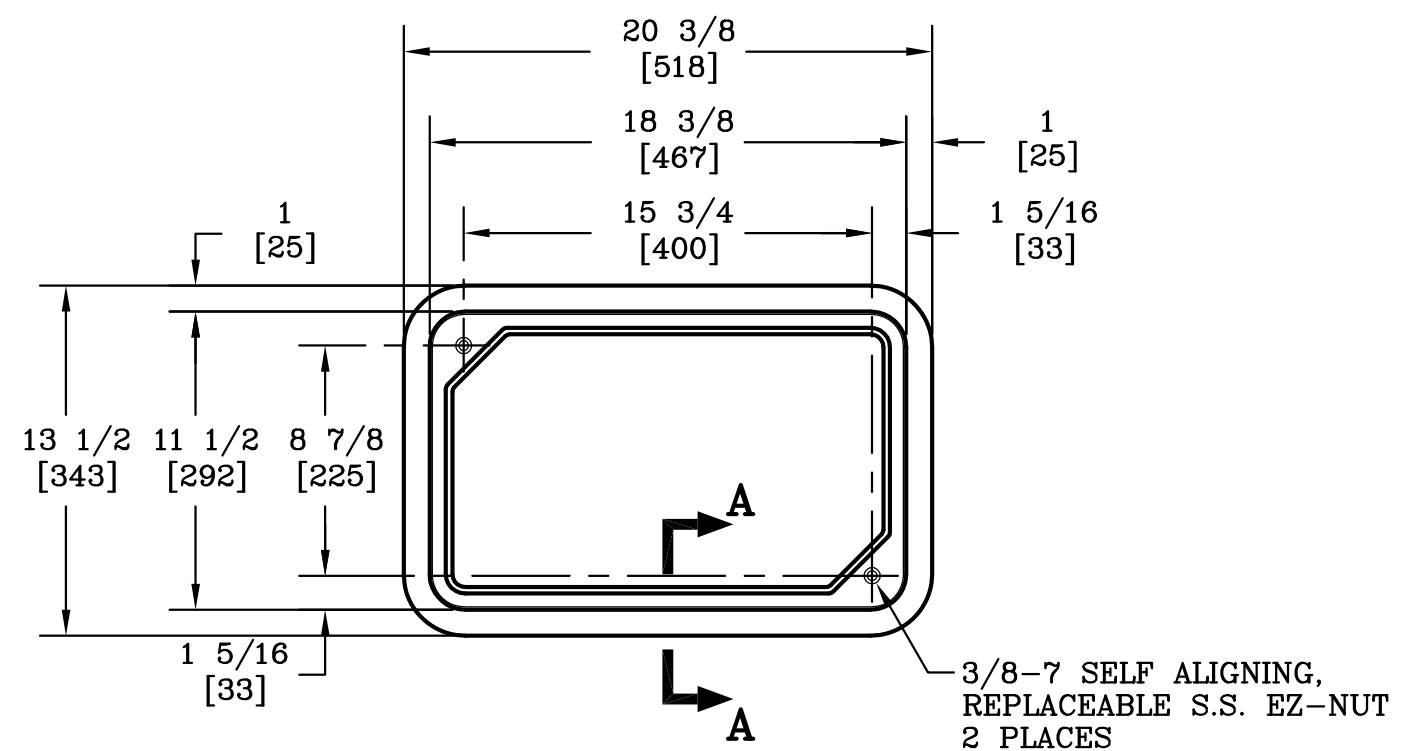
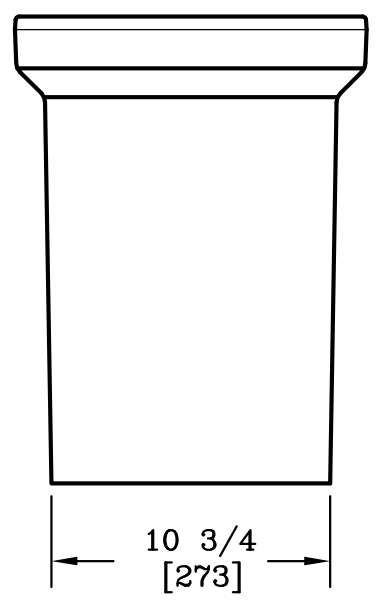
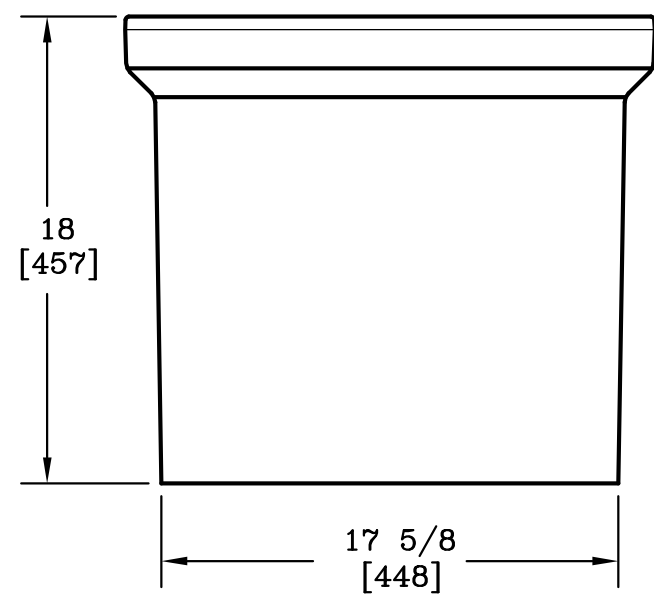



CUSTOMER APPROVAL  
 APPROVED BY: \_\_\_\_\_  
 DATE: \_\_\_\_\_



**SECTION A-A**  
 SCALE: 3"=1'

**NOTE:**  
 1. THIS BOX IS RATED FOR ANSI/SCTE 77 2010 TIER 22.



DIMENSIONS ARE IN INCHES OR MILLIMETERS IN BRACKETS UNLESS OTHERWISE NOTED.						
DRN	BY	DATE	WEIGHT		3621 INDUSTRIAL PARK DR LENOIR CITY, TN 37771 800-346-3062 www.quazite.com	LOC
CHK	ENG	APR	APR			SCALE
			55# 25kg			S
				1 1/2"=1'	DRAWING DESCRIPTION QUAZITE® BOX 11 X 18 X 18	REV
				SIZE		D
				B		3/12
PROJECT NUMBER				DRAWING NUMBER		
98297				PG1118BA18		
SHEET 1 OF 1						