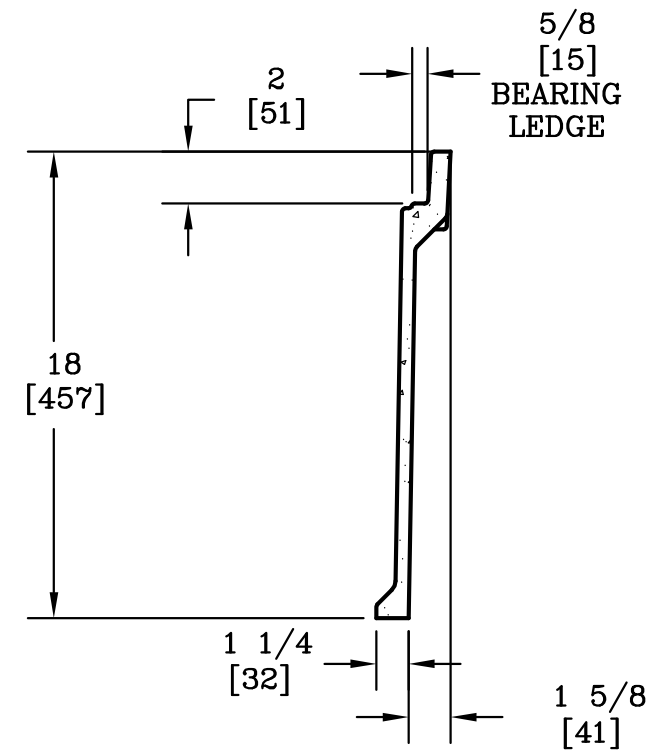
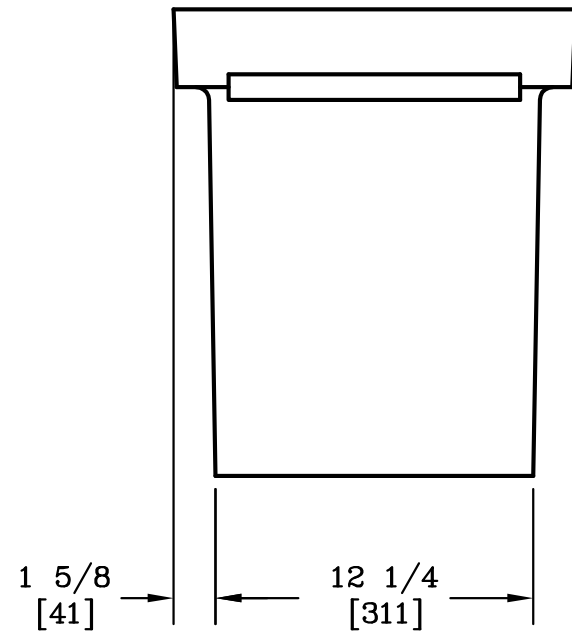
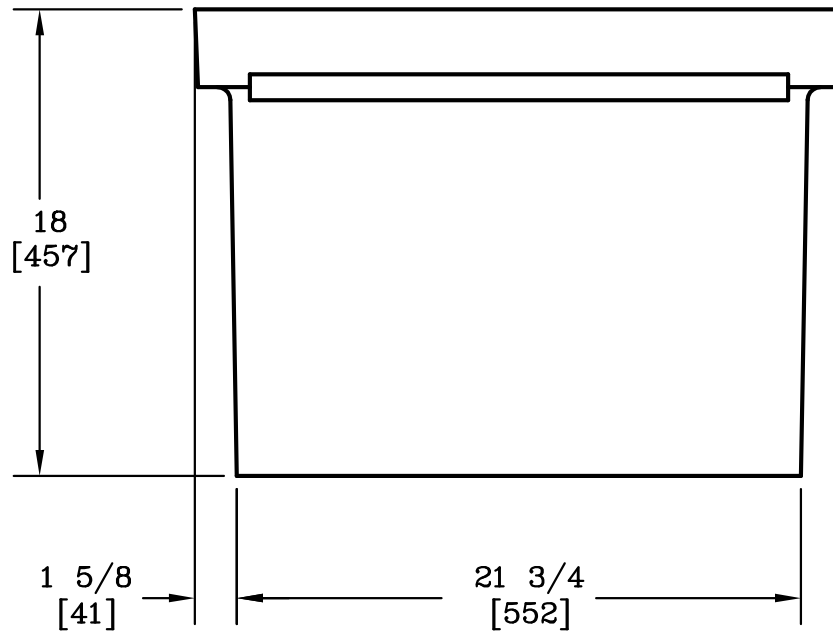


3/8-7 SELF ALIGNING,
REPLACEABLE S.S. EZ-NUT
2 PLACES



SECTION A-A

NOTE:
1. THIS BOX IS RATED FOR
ANSI/SCTE 77 2010 TIER 22.



CUSTOMER APPROVAL
APPROVED BY: _____
DATE: _____

DIMENSIONS ARE IN INCHES OR MILLIMETERS IN BRACKETS UNLESS OTHERWISE NOTED.				3621 INDUSTRIAL PARK DR LENOIR CITY, TN 37771 800-346-3062 www.quazite.com	LOC
DRN	BY	DATE	WEIGHT		DRAWING DESCRIPTION
CHK	ENG	APR	APR	QUAZITE® BOX 13 X 24 X 18	
73# 33kg.	SCALE	1 1/2"=1'	SIZE		B
PROJECT NUMBER				DRAWING NUMBER	
82001				PG1324BA18	
SHEET 1 OF 1					