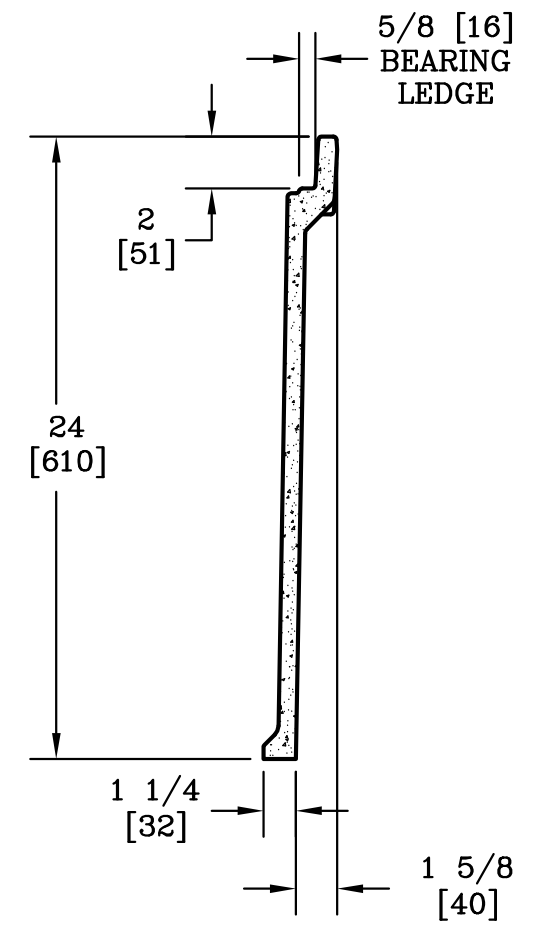
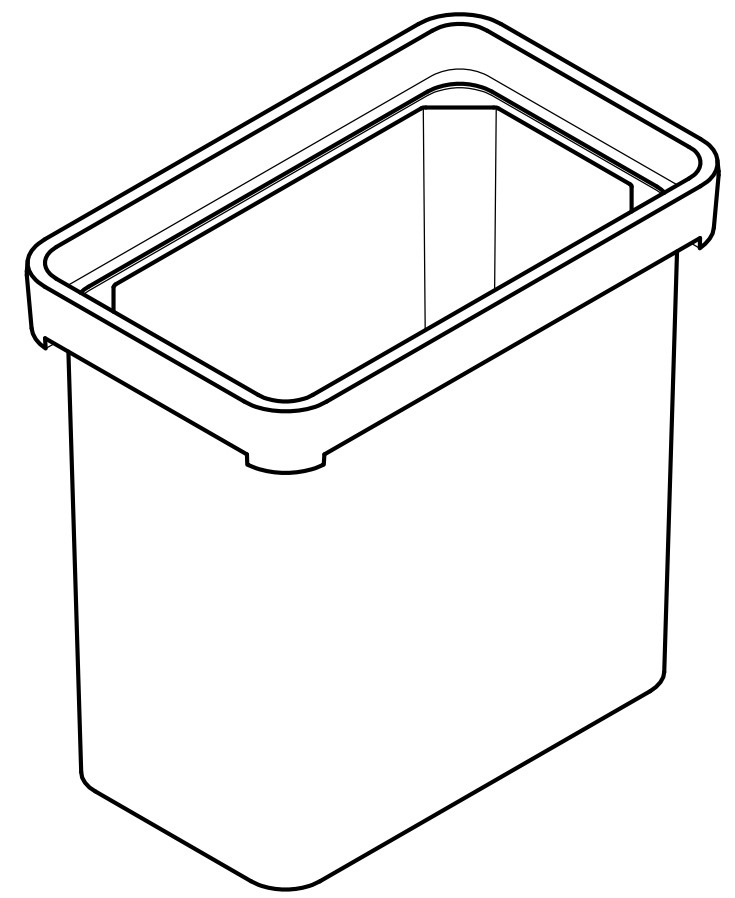
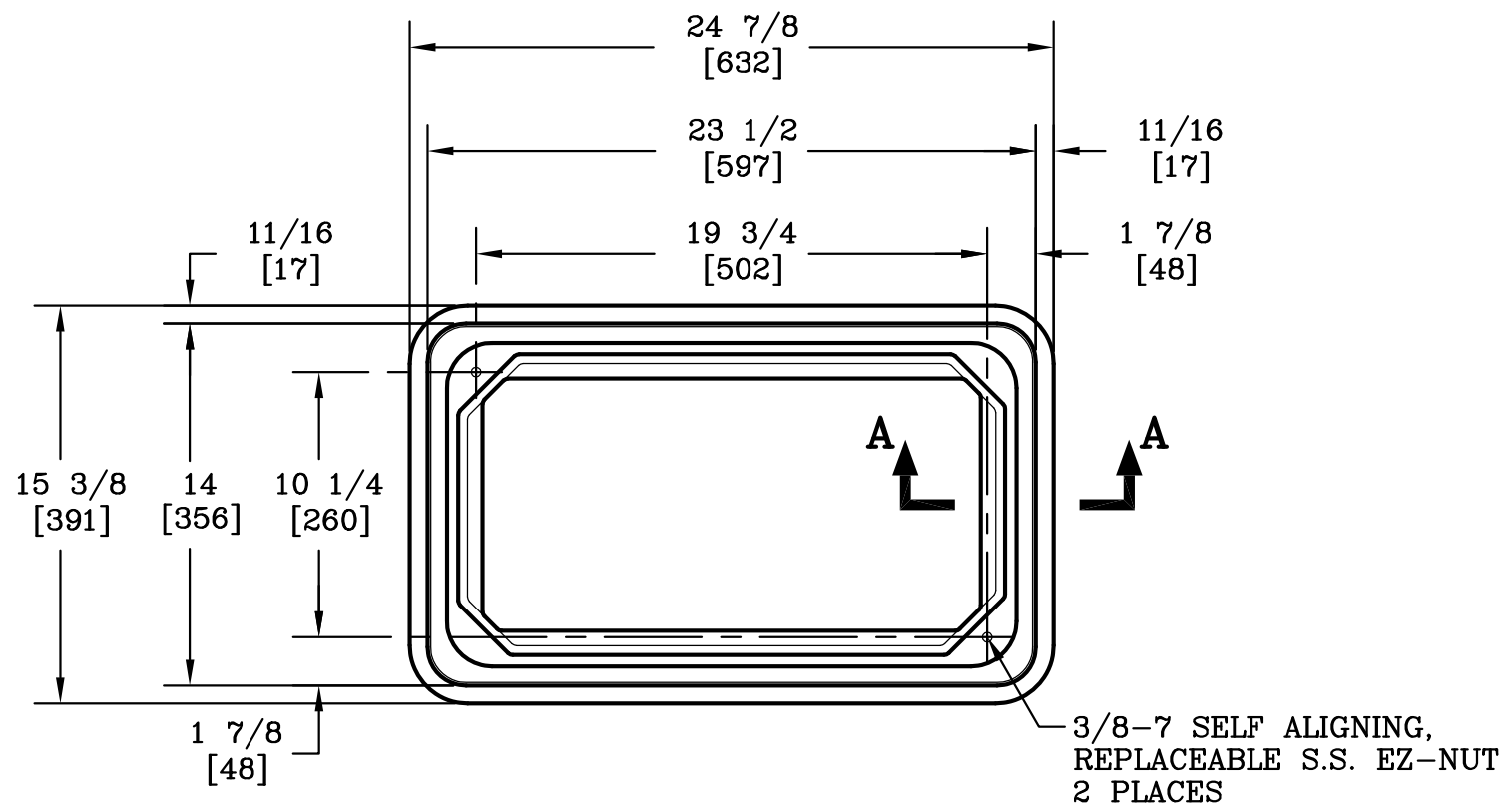
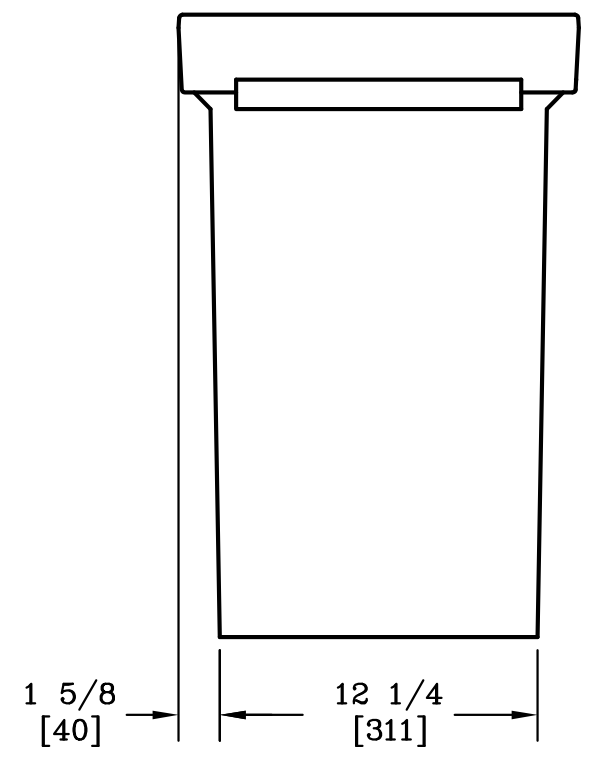
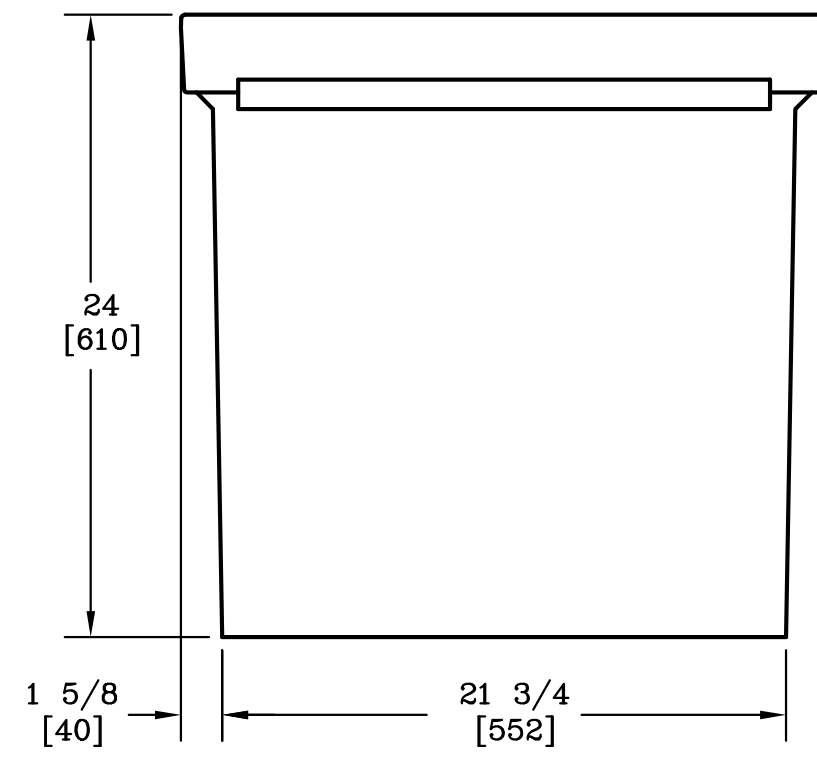



CUSTOMER APPROVAL
 APPROVED BY: _____
 DATE: _____



SECTION A-A

NOTE:
 1. THIS BOX IS RATED FOR ANSI/SCTE 77 2010 TIER 22.



DIMENSIONS ARE IN INCHES OR MILLIMETERS IN BRACKETS UNLESS OTHERWISE NOTED.					
DRN	BY	DATE	WEIGHT	 3621 INDUSTRIAL PARK DR LENOIR CITY, TN 37771 800-346-3062 www.quazite.com	LOC
CHK	ENG	APR	APR		SCALE
				1 1/2"=1	DRAWING DESCRIPTION QUAZITE® 13 X 24 X 24 BOX
				SIZE	
				B	3/12
PROJECT NUMBER			DRAWING NUMBER		
104867			PG1324BA24		
SHEET 1 OF 1					