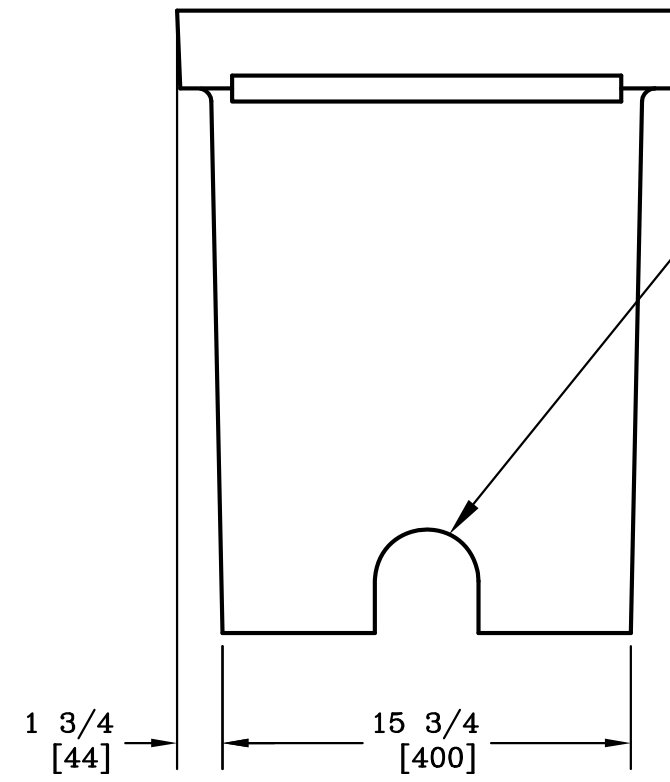
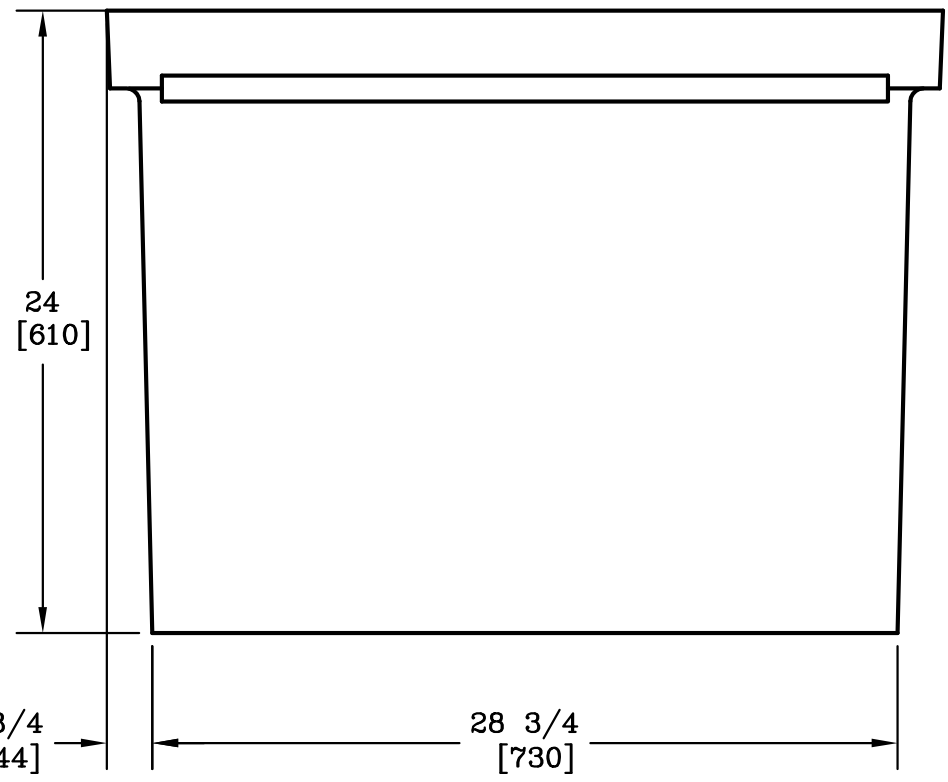



SECTION A-A



NOTE:

1. DIMENSIONS IN BRACKETS ARE IN MILLIMETERS UNLESS NOTED OTHERWISE.



DIMENSIONS ARE IN INCHES OR MILLIMETERS IN BRACKETS UNLESS OTHERWISE NOTED.					
DRN	BY	DATE	WEIGHT	 3621 INDUSTRIAL PARK DR LENOIR CITY, TN 37771 800-346-3062 www.quazite.com	LOC
CHK	ENG	SCALE	109# 49kg		S
APR	APR	SIZE	1 1/2"=1'	DRAWING DESCRIPTION	REV
APR	PROJECT NUMBER	B			QUAZITE [®] BOX
			04636	DRAWING NUMBER	
				PG1730BB24	
SHEET 1 OF 1					