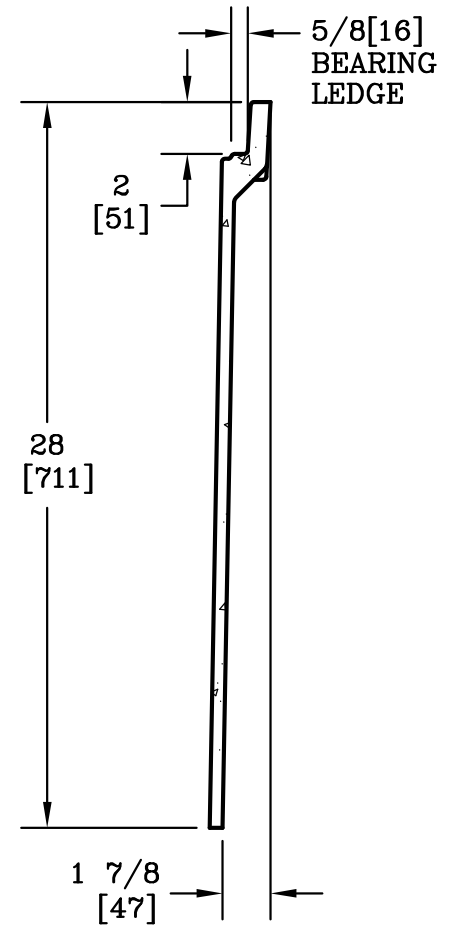
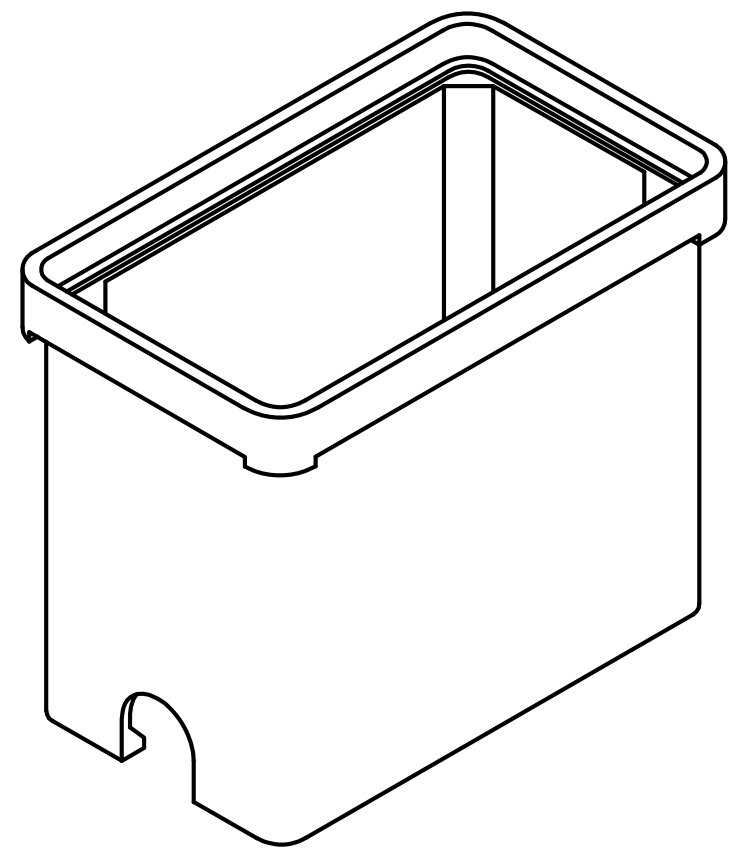


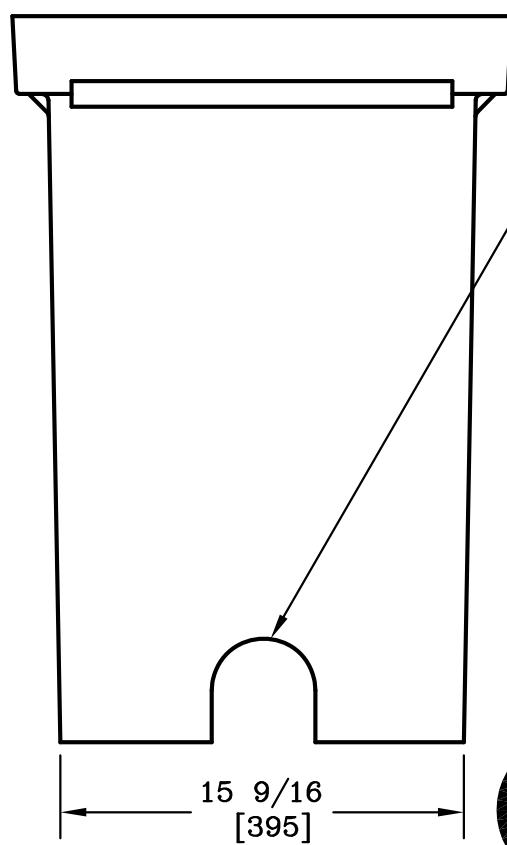
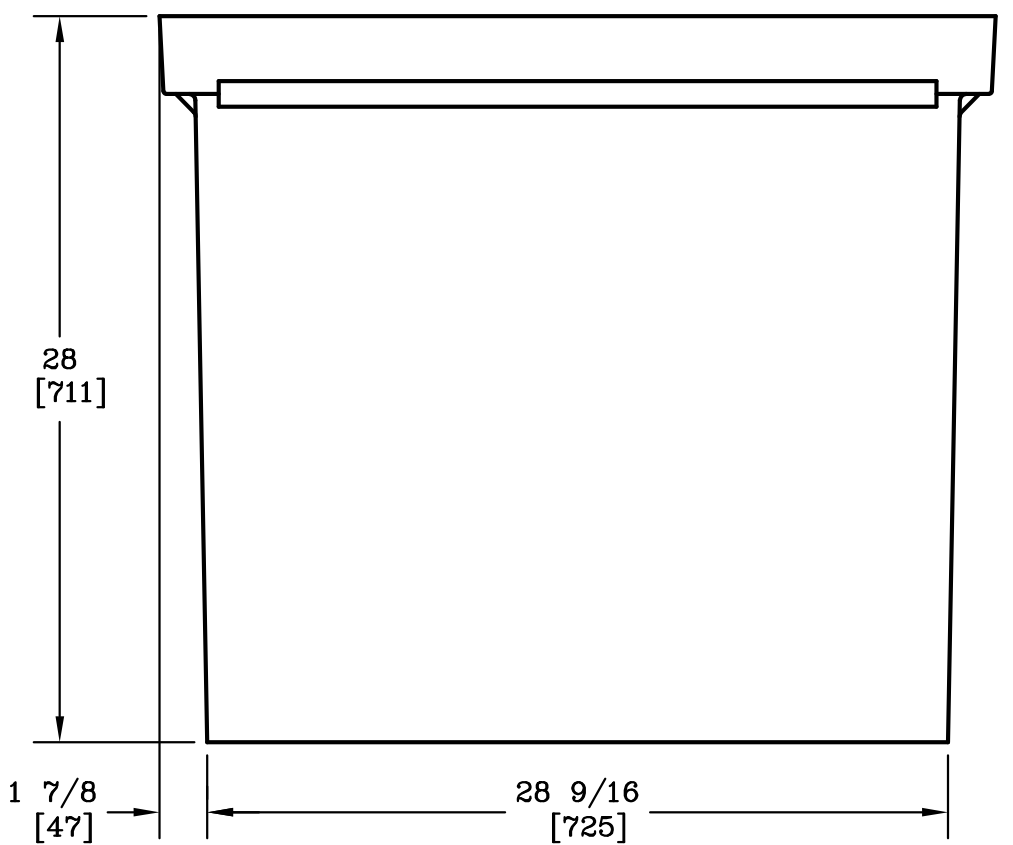
3/8-7 SELF ALIGNING,
REPLACEABLE S.S. EZ-NUT
2 PLACES



SECTION A-A

NOTE:

1. DIMENSIONS IN BRACKETS ARE IN MILLIMETERS UNLESS NOTED OTHERWISE.



2X 4 [102] X 4 [102] MOUSEHOLES
1 CENTERED EACH END



DIMENSIONS ARE IN INCHES OR MILLIMETERS IN BRACKETS UNLESS OTHERWISE NOTED.				HUBBELL® 3621 INDUSTRIAL PARK DR LENOIR CITY, TN 37771 800-346-3062 www.quazite.com		LOC
DRN	BY	DATE	WEIGHT	SCALE	DRAWING DESCRIPTION	S
			112# 51kg			1 1/2"=1'
CHK					QUAZITE® BOX	B
ENG						3/12
APR				SIZE		
APR				B		
PROJECT NUMBER				DRAWING NUMBER		
03120				PG1730BB28		
SHEET 1 OF 1						