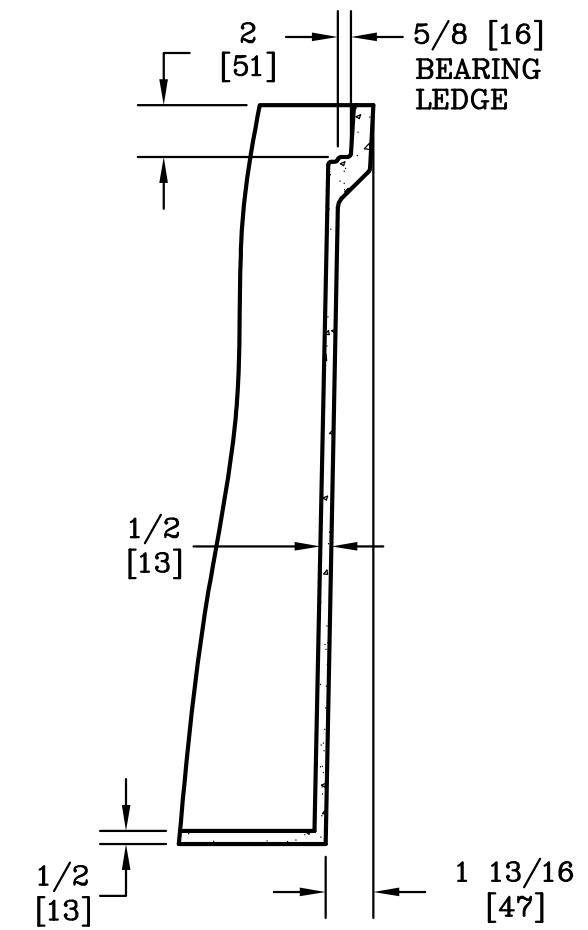
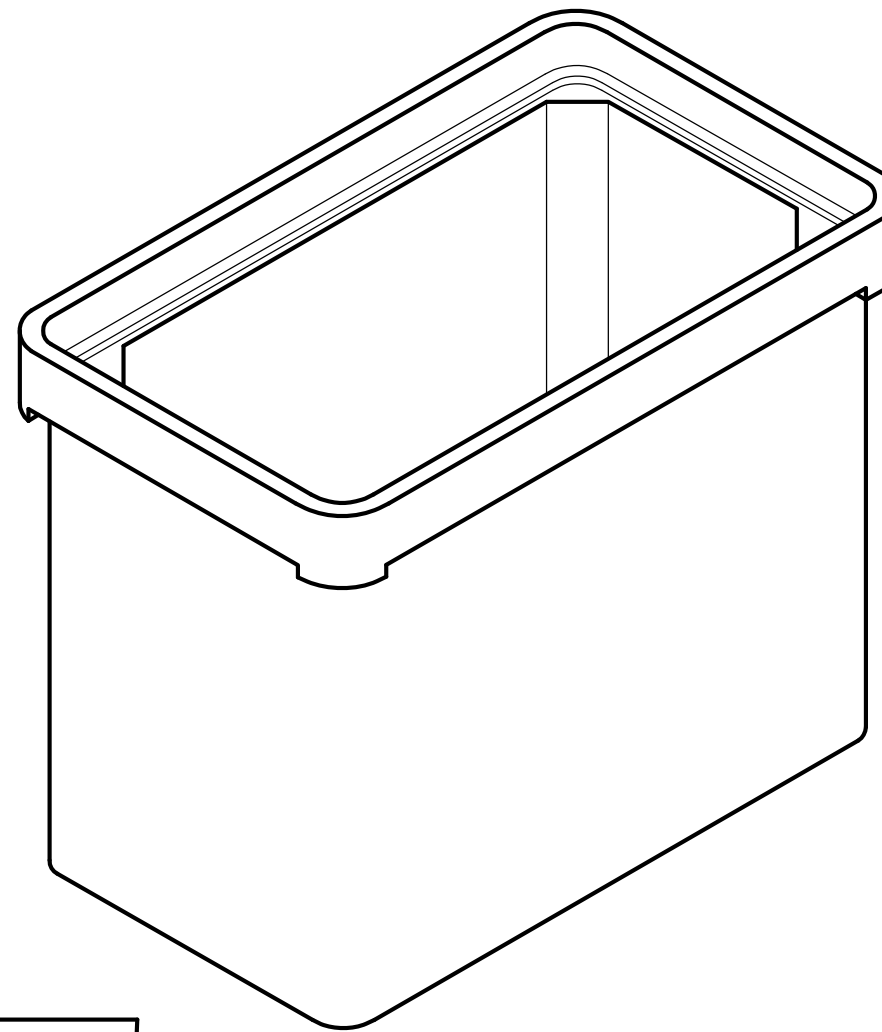
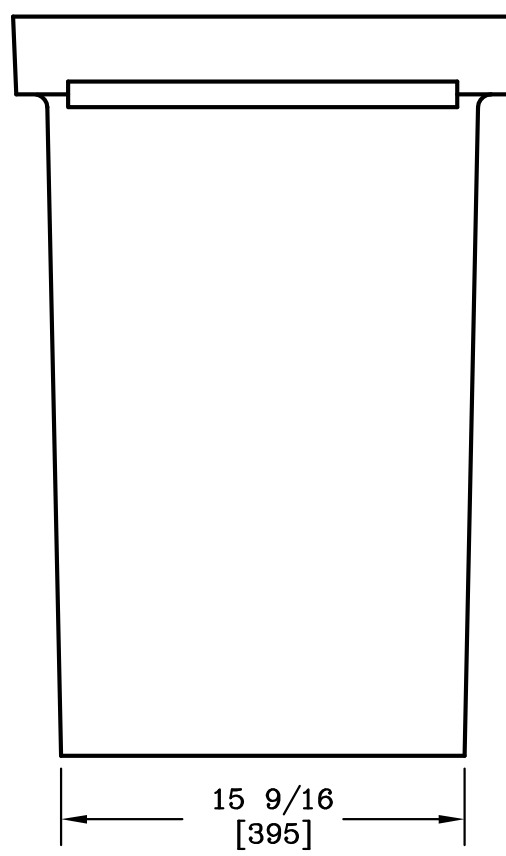
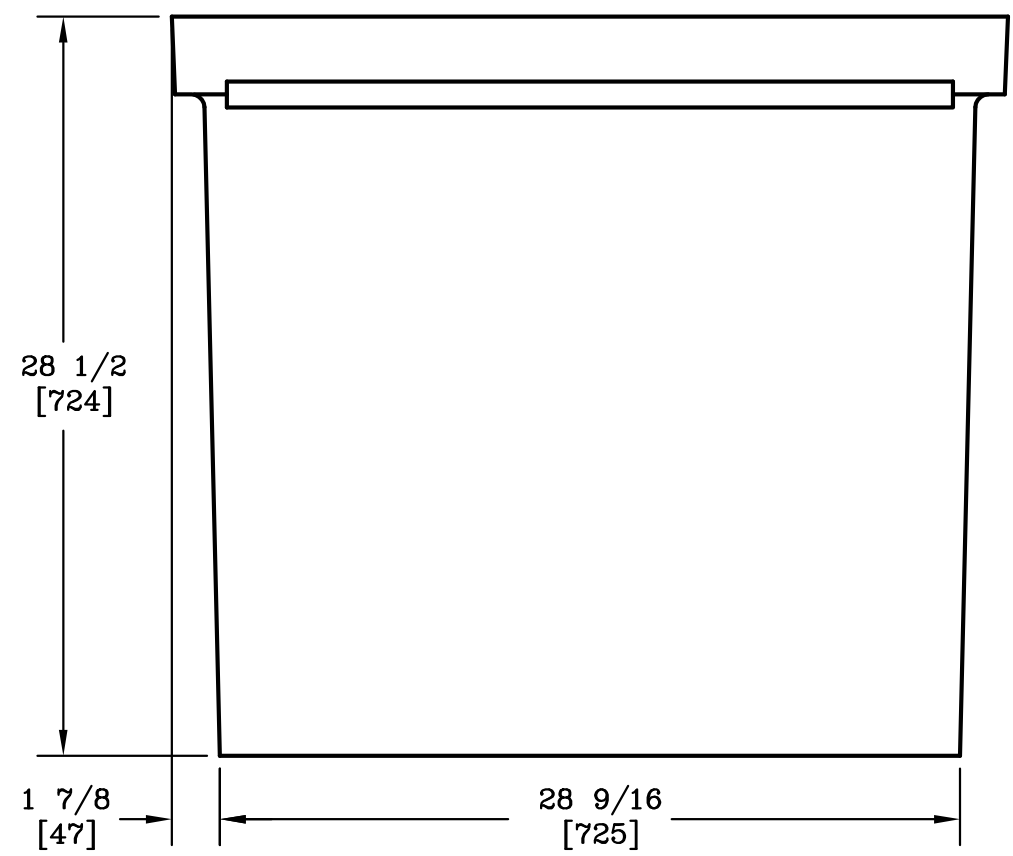


3/8-7 SELF ALIGNING,
REPLACEABLE S.S. EZ-NUT
2 PLACES



SECTION A-A



NOTE:

1. DIMENSIONS IN BRACKETS ARE IN MILLIMETERS UNLESS NOTED OTHERWISE.



DIMENSIONS ARE IN INCHES OR MILLIMETERS IN BRACKETS UNLESS OTHERWISE NOTED.						
DRN	BY	DATE	WEIGHT		3621 INDUSTRIAL PARK DR LENOIR CITY, TN 37771 800-346-3062 www.quazite.com	LOC
CHK			129# 59kg			S
ENG			SCALE	DRAWING DESCRIPTION		REV
APR			1/2"=1			B
APR			SIZE	QUAZITE[®] BOX		3/12
			B			
PROJECT NUMBER				DRAWING NUMBER		
03121				PG1730DA28		
SHEET 1 OF 1						