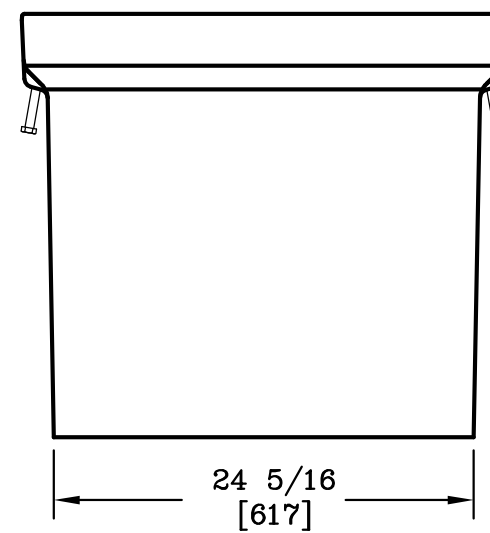
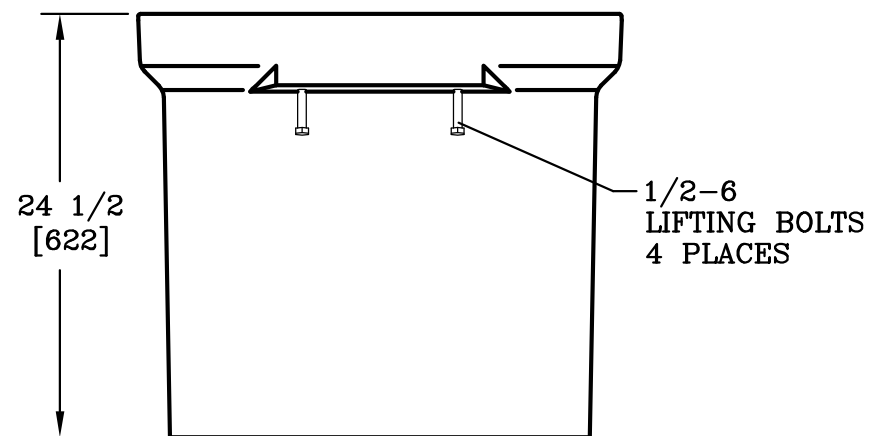



SECTION A-A



NOTE:

- DIMENSIONS IN BRACKETS ARE IN MILLIMETERS UNLESS NOTED OTHERWISE.

DIMENSIONS ARE IN INCHES OR MILLIMETERS IN BRACKETS UNLESS OTHERWISE NOTED.						
DRN	BY	DATE	WEIGHT	 3621 INDUSTRIAL PARK DR LENOIR CITY, TN 37771 800-346-3062 www.quazite.com	LOC	
			185# 84kg			
CHK			SCALE	QUAZITE® BOX	S	
ENG			1"=1'		REV	
APR			SIZE			E
APR			B			3/12
PROJECT NUMBER				DRAWING NUMBER		
02816				PG2424DA24		
SHEET 1 OF 1						