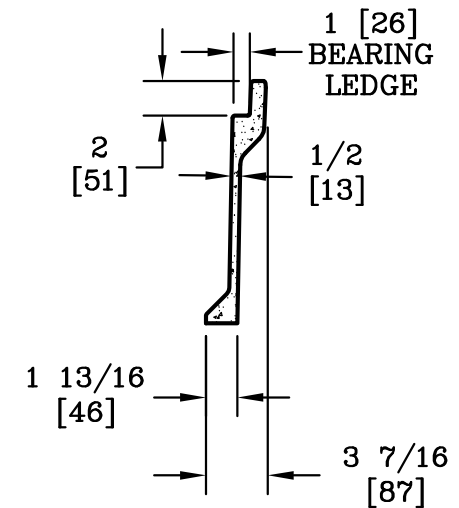
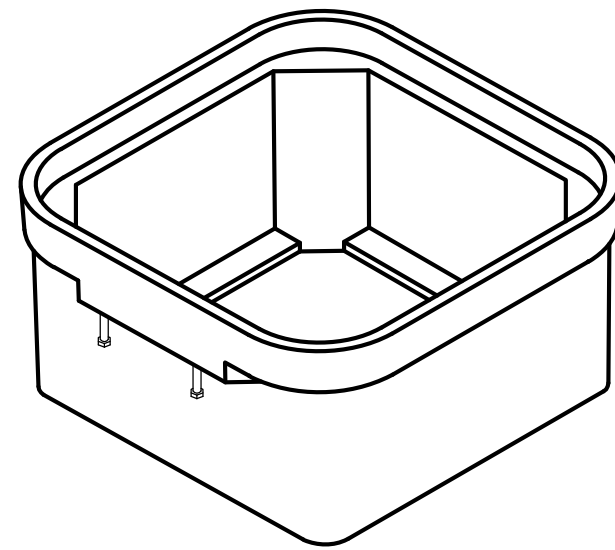
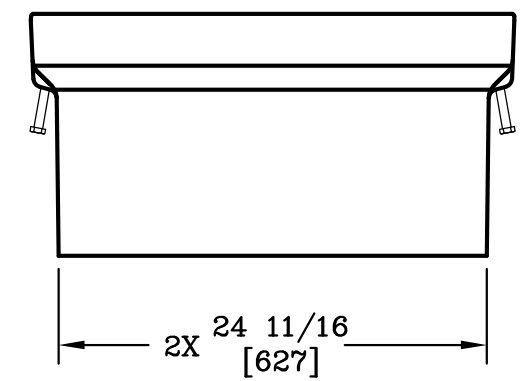
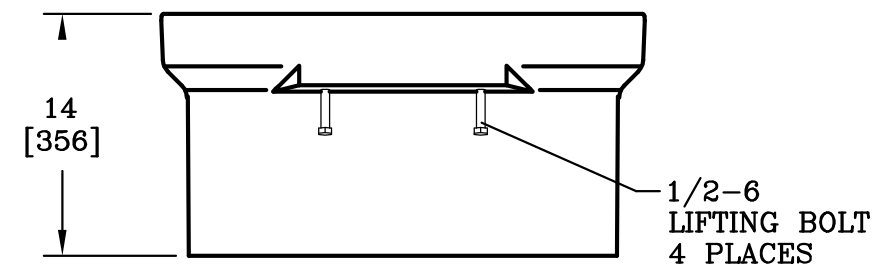


3/8-7 SELF ALIGNING,  
REPLACEABLE S.S. EZ-NUT  
2 PLACES




**SECTION A-A**



**NOTE:**

1. DIMENSIONS IN BRACKETS ARE IN MILLIMETERS UNLESS NOTED OTHERWISE.

DIMENSIONS ARE IN INCHES OR MILLIMETERS IN BRACKETS UNLESS OTHERWISE NOTED.					
DRN	BY	DATE	WEIGHT	 3621 INDUSTRIAL PARK DR LENOIR CITY, TN 37771 800-346-3062 www.quazite.com	LOC
CHK			105# 48kg		S
ENG			SCALE	DRAWING DESCRIPTION  <b>QUAZITE® BOX EXTENSION</b>	REV
APR			1"=1'		C
APR			SIZE		3/12
PROJECT NUMBER			DRAWING NUMBER		
01617			PG2424EA12		
SHEET 1 OF 1					