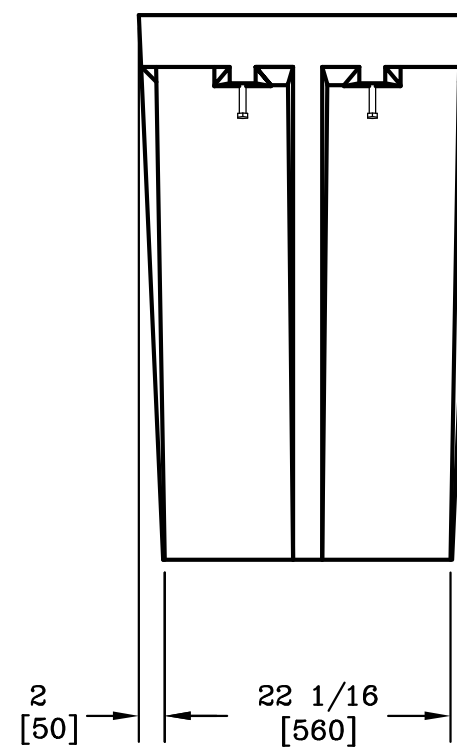
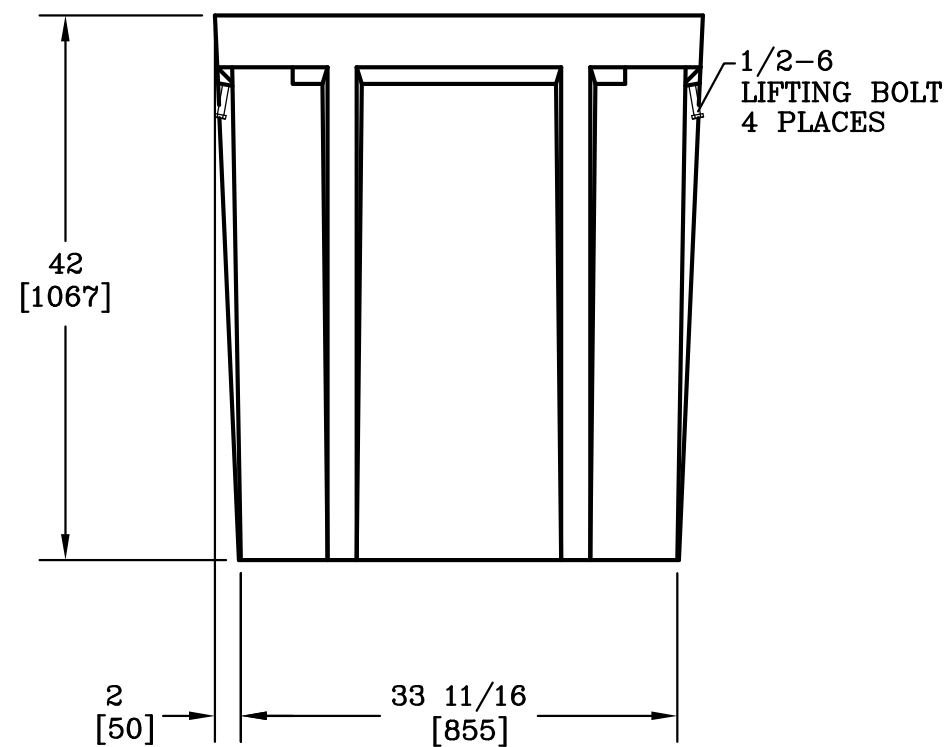



**SECTION A-A**  
SCALE: 1 1/2"=1'



**NOTE:**

1. DIMENSIONS IN BRACKETS ARE IN MILLIMETERS UNLESS NOTED OTHERWISE.

DIMENSIONS ARE IN INCHES OR MILLIMETERS IN BRACKETS UNLESS OTHERWISE NOTED.					
DRN	BY	DATE	WEIGHT	 3621 INDUSTRIAL PARK DR LENOIR CITY, TN 37771 800-346-3062 www.quazite.com	LOC
CHK	ENG	APR	APR		SCALE
				3/4"=1'	REV
				SIZE	B
				B	3/12
PROJECT NUMBER			DRAWING NUMBER		
04653			PG2436BG42		
SHEET 1 OF 1					

