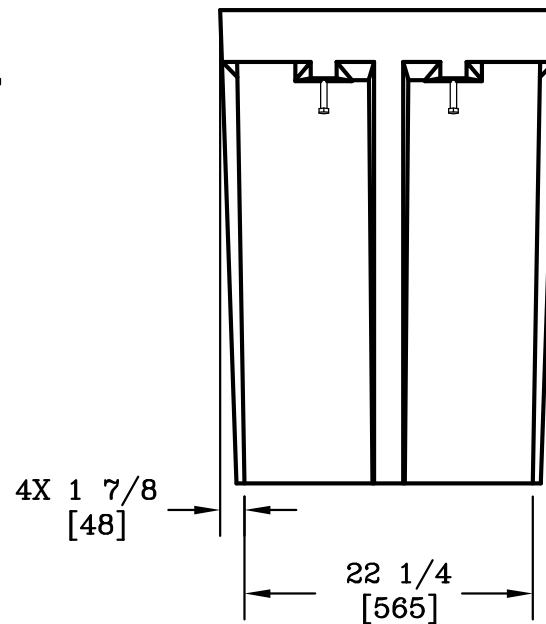
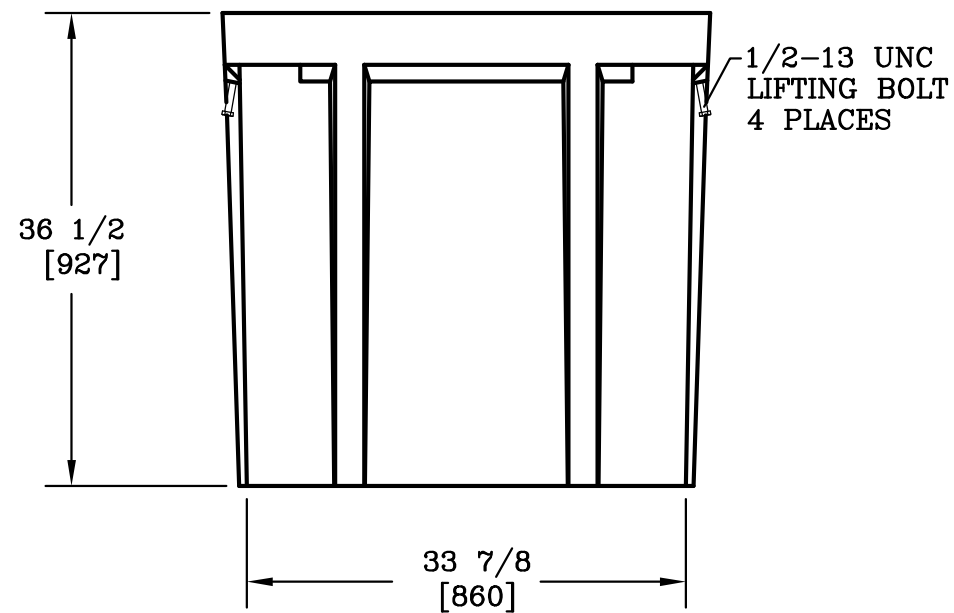



SECTION A-A
SCALE: 1 1/2"=1'



NOTE:

1. DIMENSIONS IN BRACKETS ARE IN MILLIMETERS UNLESS NOTED OTHERWISE.

DIMENSIONS ARE IN INCHES OR MILLIMETERS IN BRACKETS UNLESS OTHERWISE NOTED.						
DRN	BY	DATE	WEIGHT		3621 INDUSTRIAL PARK DR LENOIR CITY, TN 37771 800-346-3062 www.quazite.com	LOC
CHK	ENG	APR	APR			285# 129kg
				SCALE	DRAWING DESCRIPTION	REV
				3/4"=1'		B
				SIZE	QUAZITE® BOX	3/12
				B		
PROJECT NUMBER				DRAWING NUMBER		
06962				PG2436DA36		
SHEET 1 OF 1						

