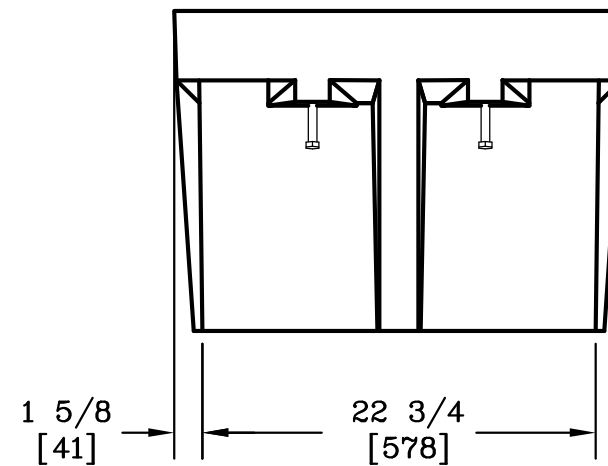
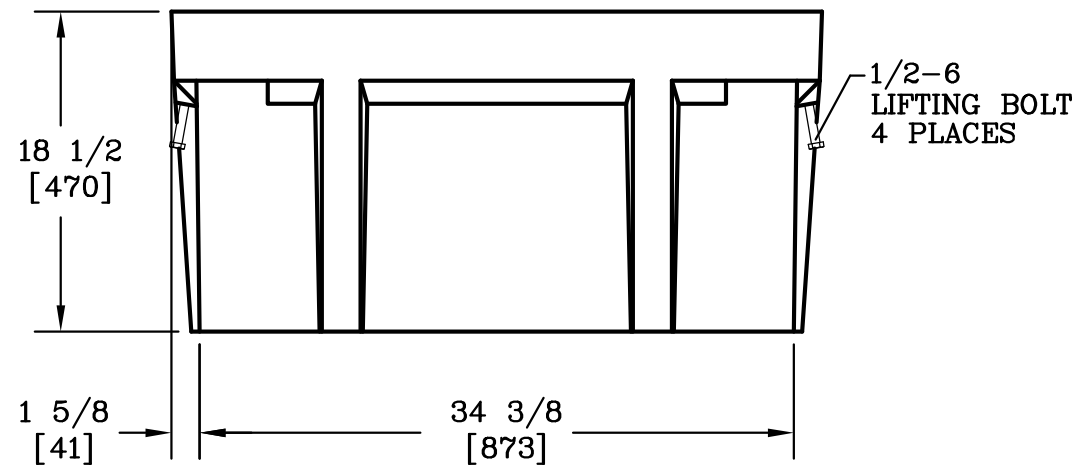



SECTION A-A

SCALE: 1"=6"



DIMENSIONS ARE IN INCHES OR MILLIMETERS IN BRACKETS UNLESS OTHERWISE NOTED.					
DRN	BY	DATE	WEIGHT	 3621 INDUSTRIAL PARK DR LENOIR CITY, TN 37771 800-346-3062 www.quazite.com	LOC
			186# 84kg		
CHK			SCALE	QUAZITE® SOLID BOTTOM BOX	S REV
ENG			1"=1'		E
APR			SIZE		3/12
APR			B		
PROJECT NUMBER			DRAWING NUMBER		
90248			PG2436DA18		
SHEET 1 OF 1					