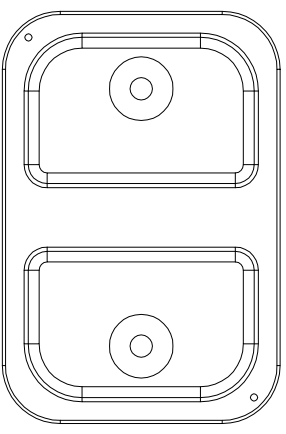
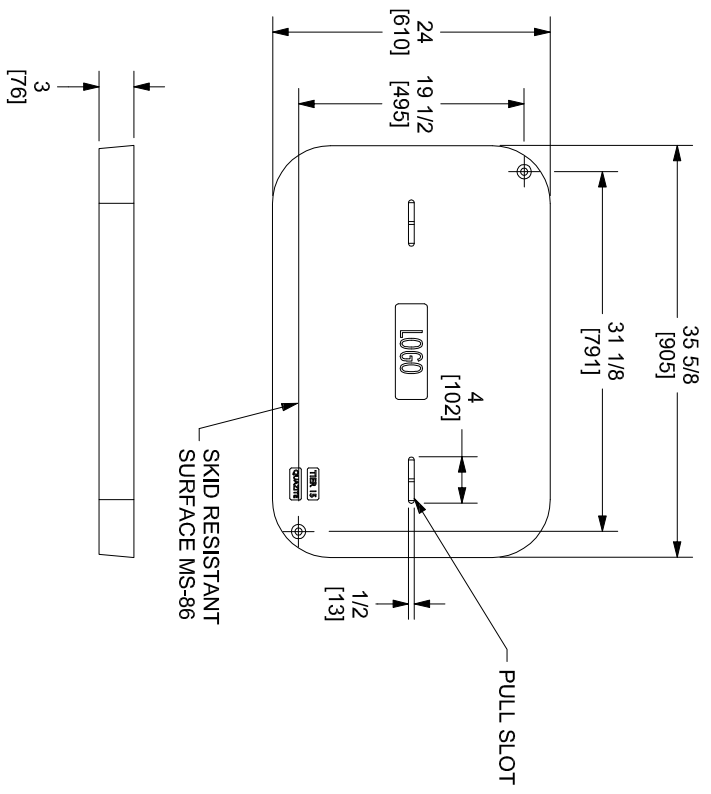
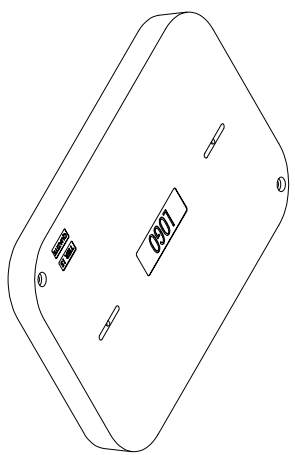


PARTS LIST					
ITEM	CATEGORY	PART NUMBER	DESCRIPTION	QTY	BASE UNIT
1	L	C080177	BOLT SS AUG 3/8-7 X 4.00 HEX	2	Each
2	L	C080210	WASHER SS 3/8 ID X 1.000 OD FL	2	Each



BOTTOM VIEW



NOTE:
 1. RATED FOR A STATIC DESIGN LOAD OF 15,000 LBS. [66,720] OVER A 10 [254] X 10 [254] AREA AND MUST PASS A MINIMUM STATIC TEST LOAD OF 22,500 LBS. [100,080 N].



DIMENSIONS ARE IN INCHES OR MILLIMETERS IN BRACKETS UNLESS OTHERWISE NOTED			
BR	DATE	WEIGHT	LOC
RLS	3/3/93	112# 50kg	LC
DN			S
CHK	3/4/93	SCALE	
ENG	MS	NTS	REV
APR	FMS	3/9/93	J
ESK #		SIZE	4/18
		B	

3621 INDUSTRIAL PARK DR
 LENOIR CITY, TN 37771
 800-346-5062
 www.quazite.com

DRAWING DESCRIPTION
QUAZITE® COVER

DRAWING NUMBER
 PG2436HA00

SHEET 1 OF 1

4 3 2 1