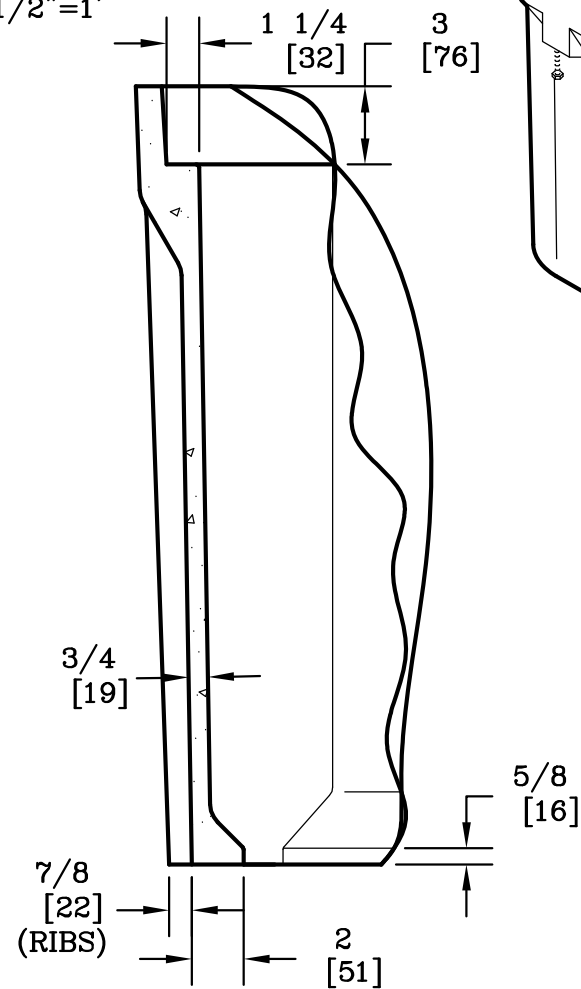


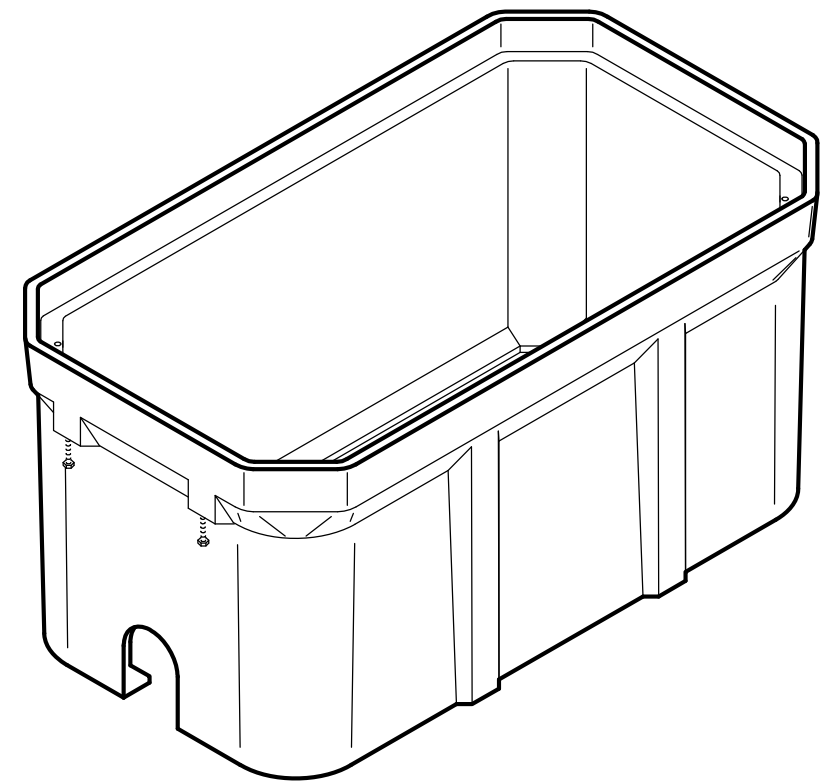
SECTION A-A

SCALE: 1 1/2"=1'

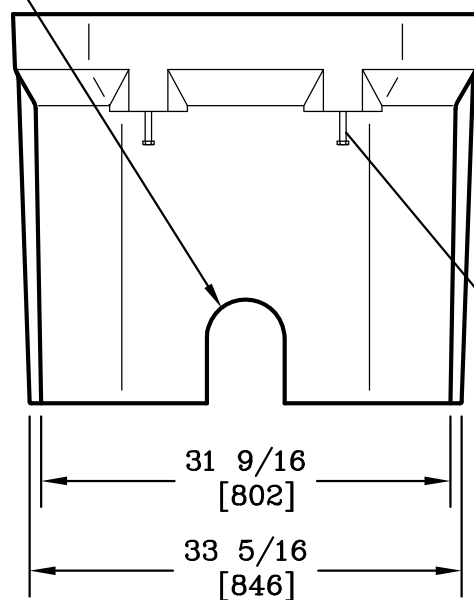
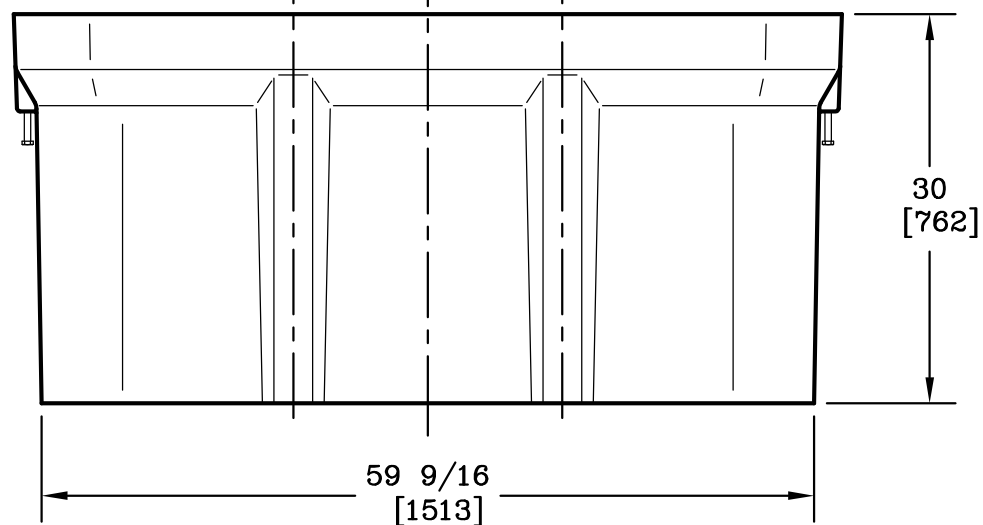
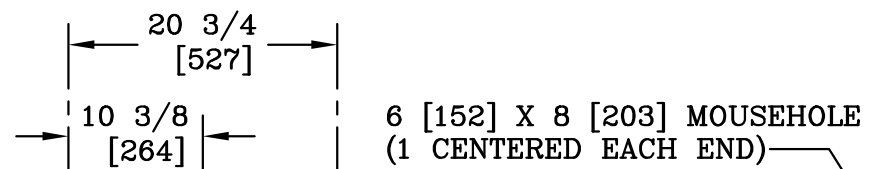


SECTION B-B

SCALE: 1 1/2"=1'



1/2-6 S.S. SELF ALIGNING,
REPLACEABLE EZ-NUT
2 PLACES



1/2-13 UNC
LIFTING BOLT
4 PLACES

NOTE:

1. DIMENSIONS IN BRACKETS ARE IN MILLIMETERS UNLESS NOTED OTHERWISE.

DIMENSIONS ARE IN INCHES OR MILLIMETERS IN BRACKETS UNLESS OTHERWISE NOTED.				HUBBELL®		LOC
DRN	BY	DATE	WEIGHT	3621 INDUSTRIAL PARK DR		
	JJP	4/26/00	492#	LENOIR CITY, TN 37771		
CHK	KPC	5/8/00	223kg	800-346-3062		S
ENG			SCALE	www.quazite.com		REV
APR			3/4"=1'	DRAWING DESCRIPTION		C
APR			SIZE			
			B			
PROJECT NUMBER				DRAWING NUMBER		
00281				PG3060BB30		
SHEET 1 OF 1						

**QUAZITE®
BOX**

3/12