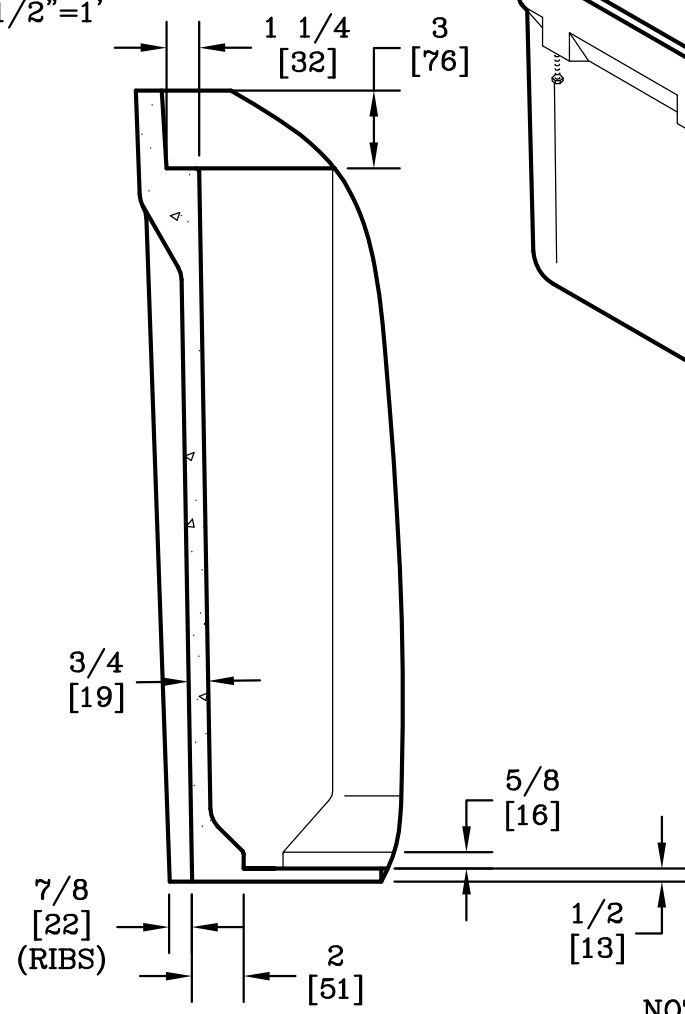
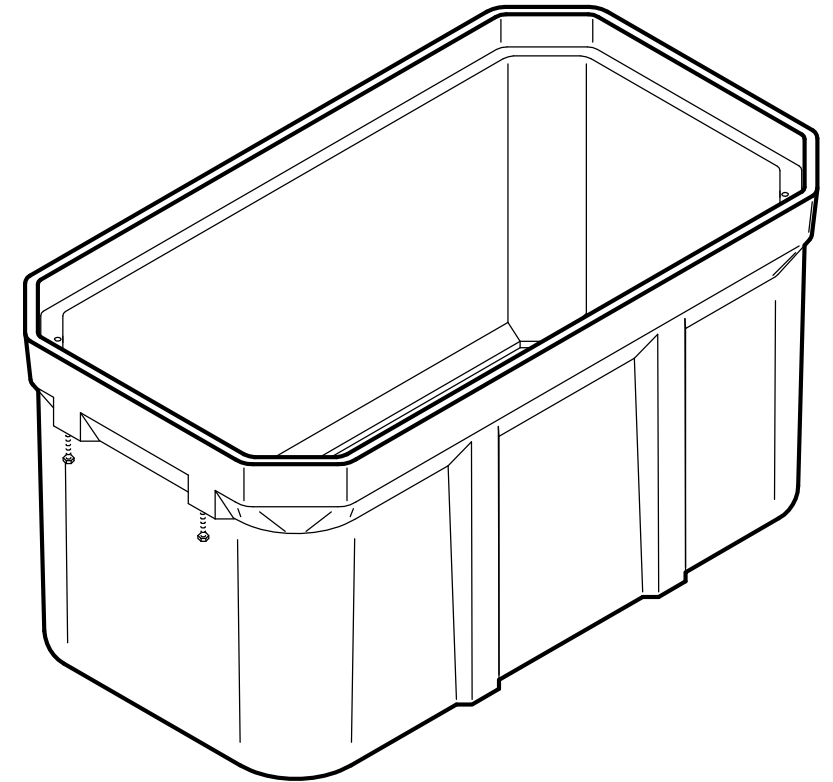


SECTION A-A
 SCALE: 1 1/2"=1'

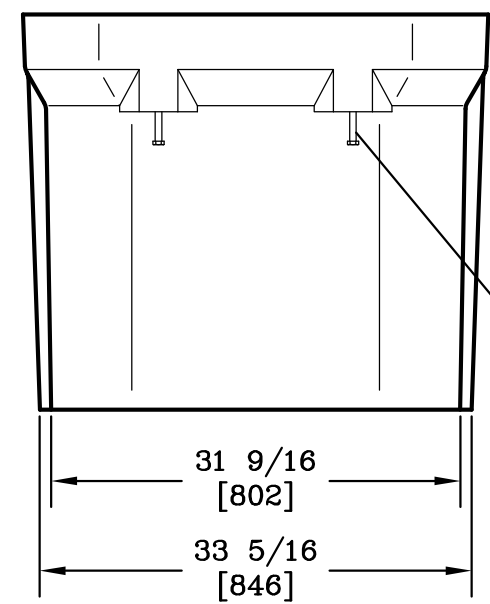
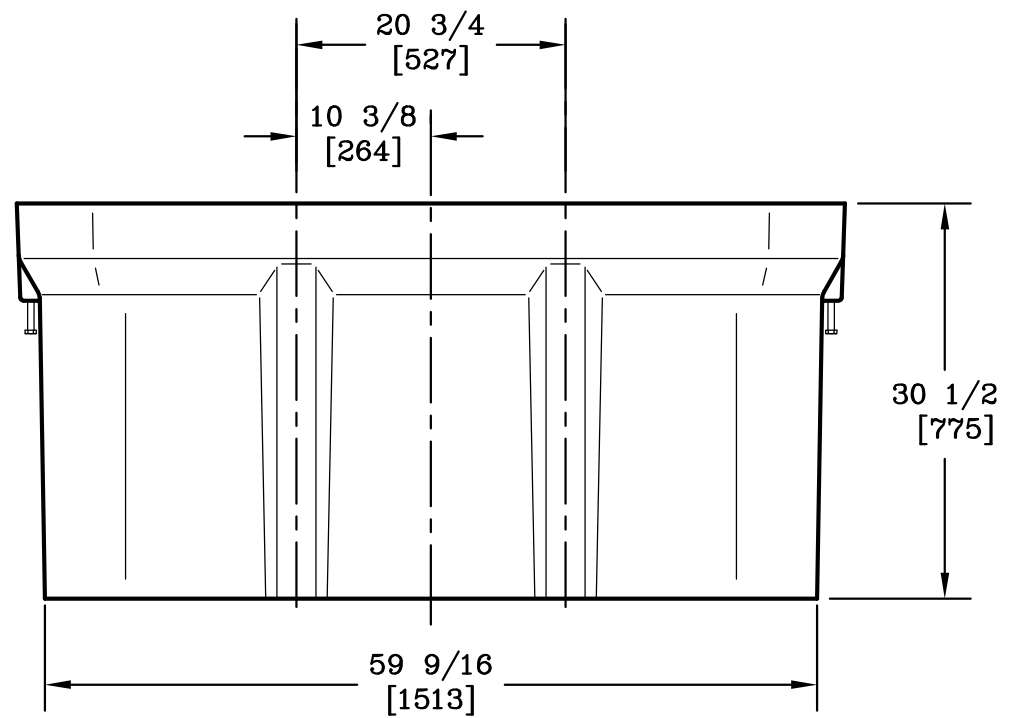


SECTION B-B
 SCALE: 1 1/2"=1'


1/2-6 SELF ALIGNING,
 REPLACEABLE S.S. EZ-NUT
 2 PLACES

NOTE:

1. DIMENSIONS IN BRACKETS ARE IN MILLIMETERS UNLESS NOTED OTHERWISE.



1/2-13 UNC
 LIFTING BOLT
 4 PLACES

DIMENSIONS ARE IN INCHES OR MILLIMETERS IN BRACKETS UNLESS OTHERWISE NOTED.					
DRN	BY	DATE	WEIGHT	 3621 INDUSTRIAL PARK DR LENOIR CITY, TN 37771 800-346-3062 www.quazite.com	LOC
CHK	KPC	5/8/00	532# 241kg		S
ENG		5/8/00	SCALE	DRAWING DESCRIPTION	REV
APR			3/4"=1'		C
APR			SIZE		3/12
PROJECT NUMBER			B	QUAZITE® BOX	DRAWING NUMBER
00289					PG3060DA30
SHEET 1 OF 1					