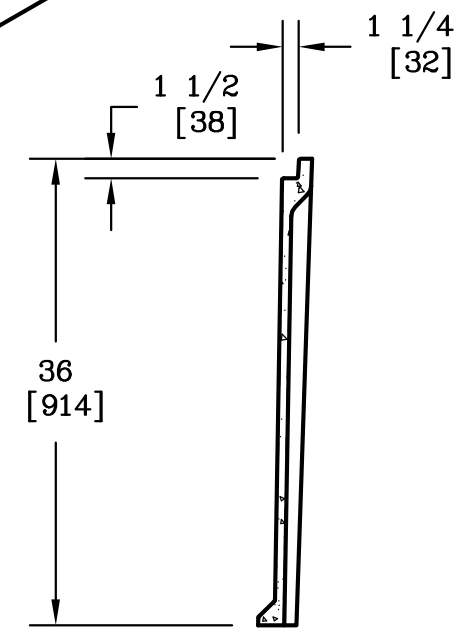
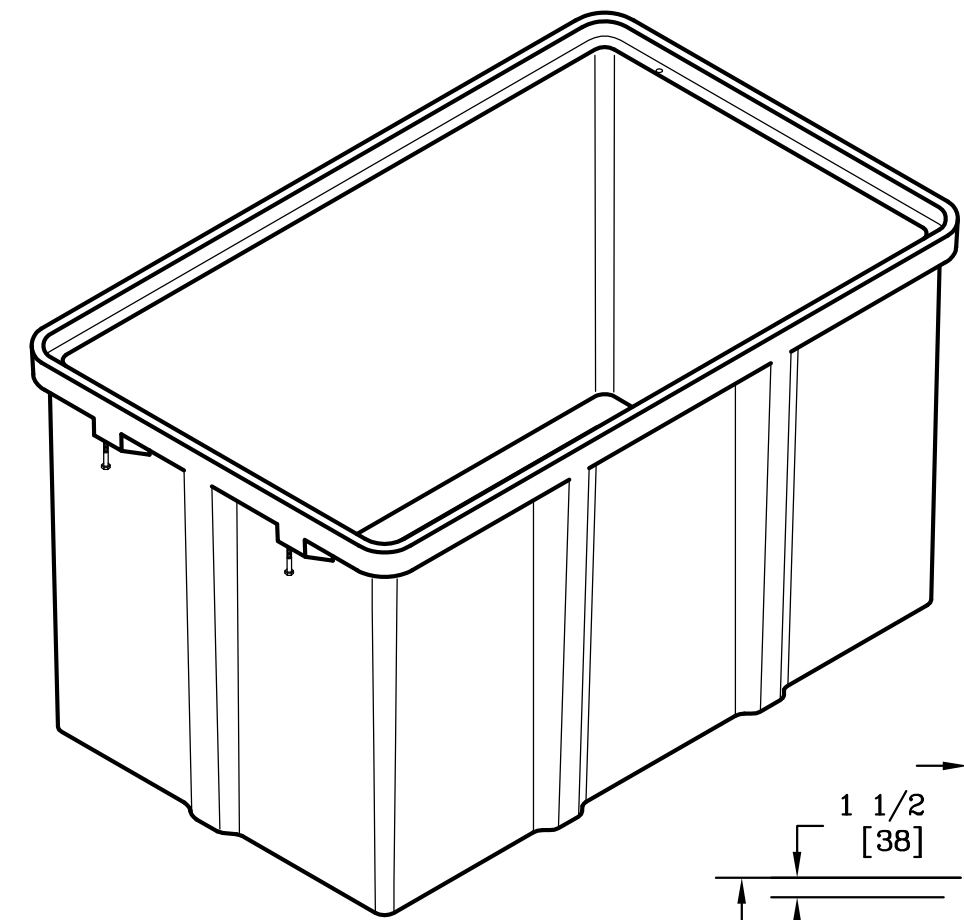
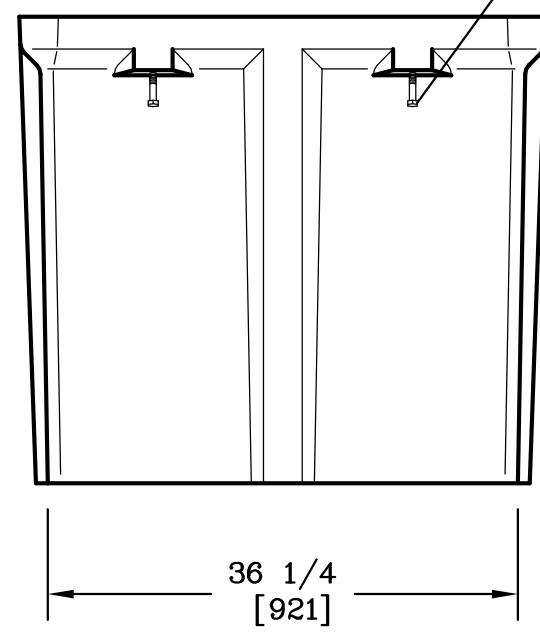
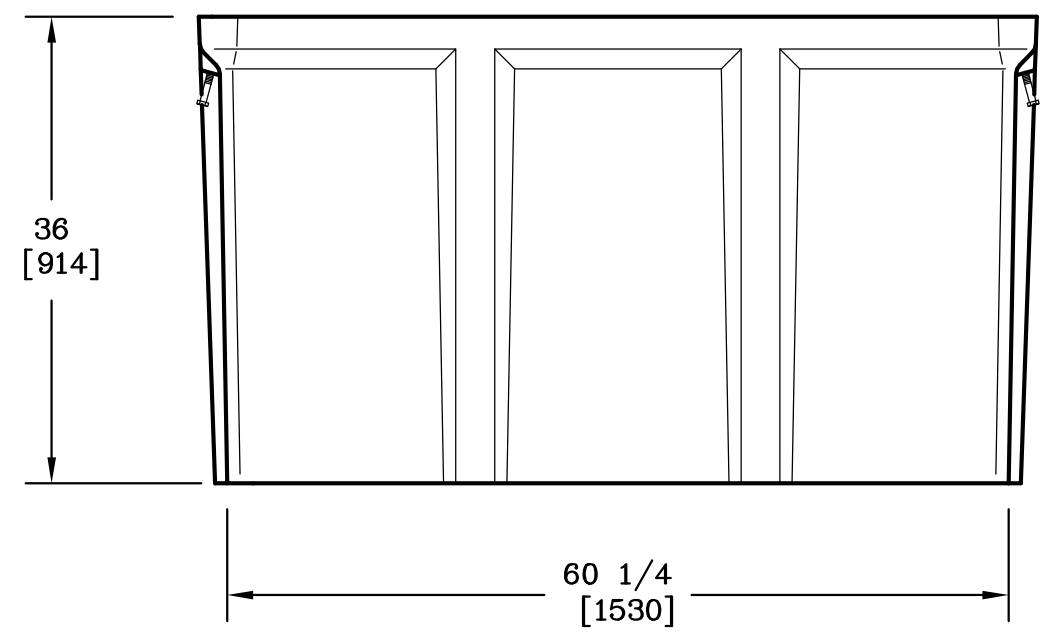


1/2-6 SELF ALIGNING,
REPLACEABLE S.S. EZ-NUT
2 PLACES




SECTION A-A

1/2-13 UNC
LIFTING BOLT
4 PLACES



NOTE:

1. THIS BOX IS RATED FOR ANSI/SCTE 77 2007 TIER 22.

DIMENSIONS ARE IN INCHES OR MILLIMETERS IN BRACKETS UNLESS OTHERWISE NOTED.				 3621 INDUSTRIAL PARK DR LENOIR CITY, TN 37771 800-346-3062 www.quazite.com		LOC
DRN	BY	DATE	WEIGHT	DRAWING DESCRIPTION	QUAZITE® 36 X 60 X 36 BOX STANDARD VERSION	LC
CHK			588# 267kg			REV
ENG			SCALE			C
APR			3/4"=1'			3/12
APR			SIZE			
PROJECT NUMBER			B	DRAWING NUMBER		
00252				PG3660BA36		
SHEET 1 OF 1						