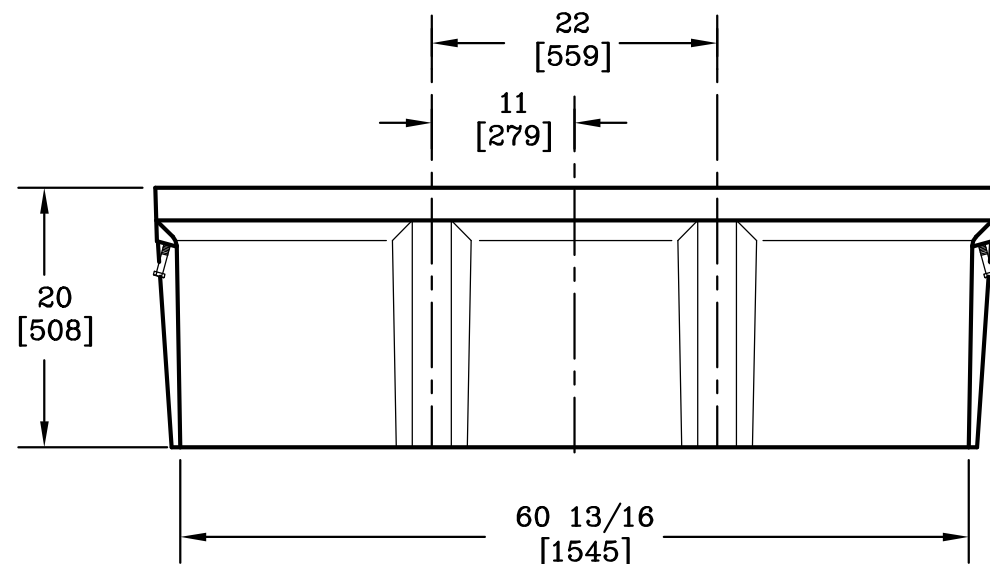
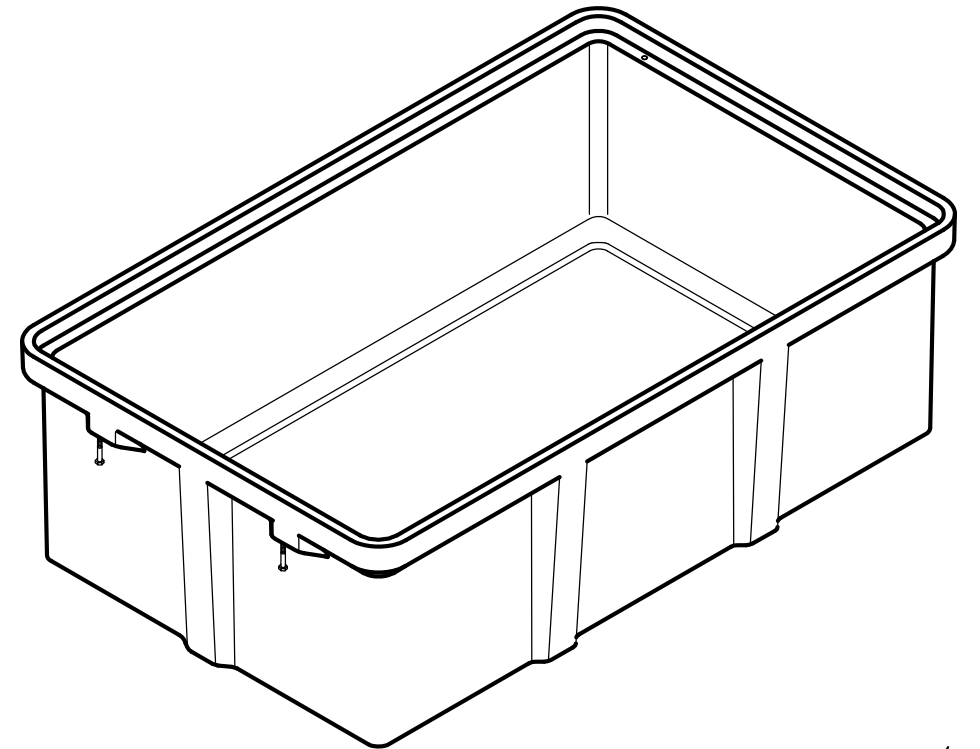
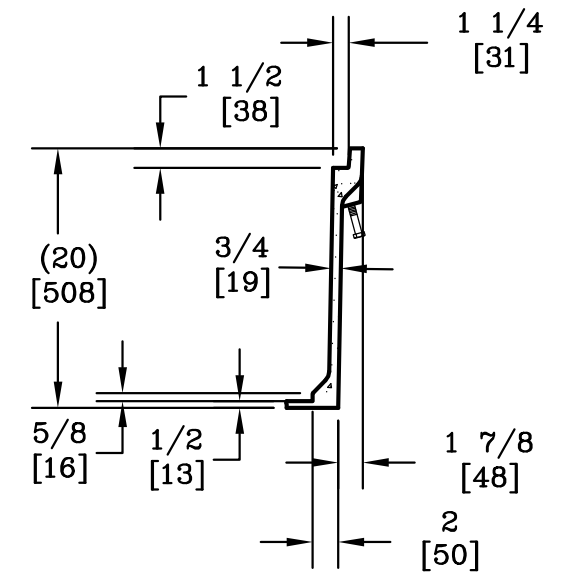
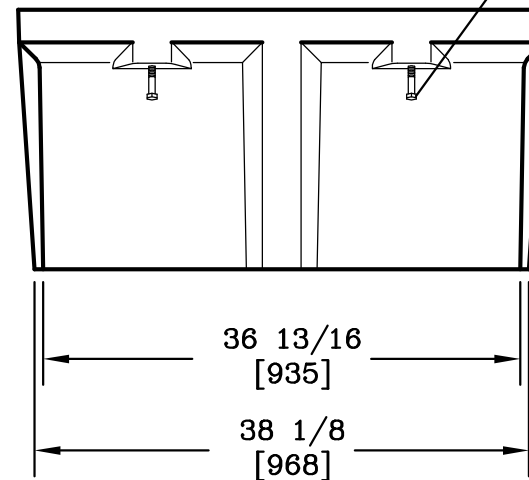


1/2-6 SELF ALIGNING,  
 REPLACEABLE S.S. EZ-NUT  
 2 PLACES




1/2-13 UNC  
 LIFTING BOLT  
 4 PLACES



**SECTION A-A**

**NOTE:**

1. THIS BOX IS RATED FOR ANSI/SCTE 77 2007 TIER 22.

DIMENSIONS ARE IN INCHES OR MILLIMETERS IN BRACKETS UNLESS OTHERWISE NOTED.					
DRN	BY	DATE	WEIGHT	 3621 INDUSTRIAL PARK DR LENOIR CITY, TN 37771 800-346-3062 www.quazite.com	LOC
CHK			479# 217kg		
ENG			SCALE	<b>QUAZITE®</b> <b>BOX</b>	S REV
APR			3/4"=1'		B
APR			SIZE		3/12
			B		
PROJECT NUMBER			DRAWING NUMBER		
00265			PG3660DA19		
SHEET 1 OF 1					