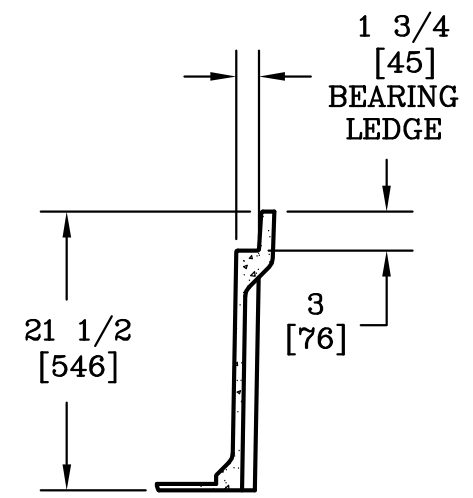
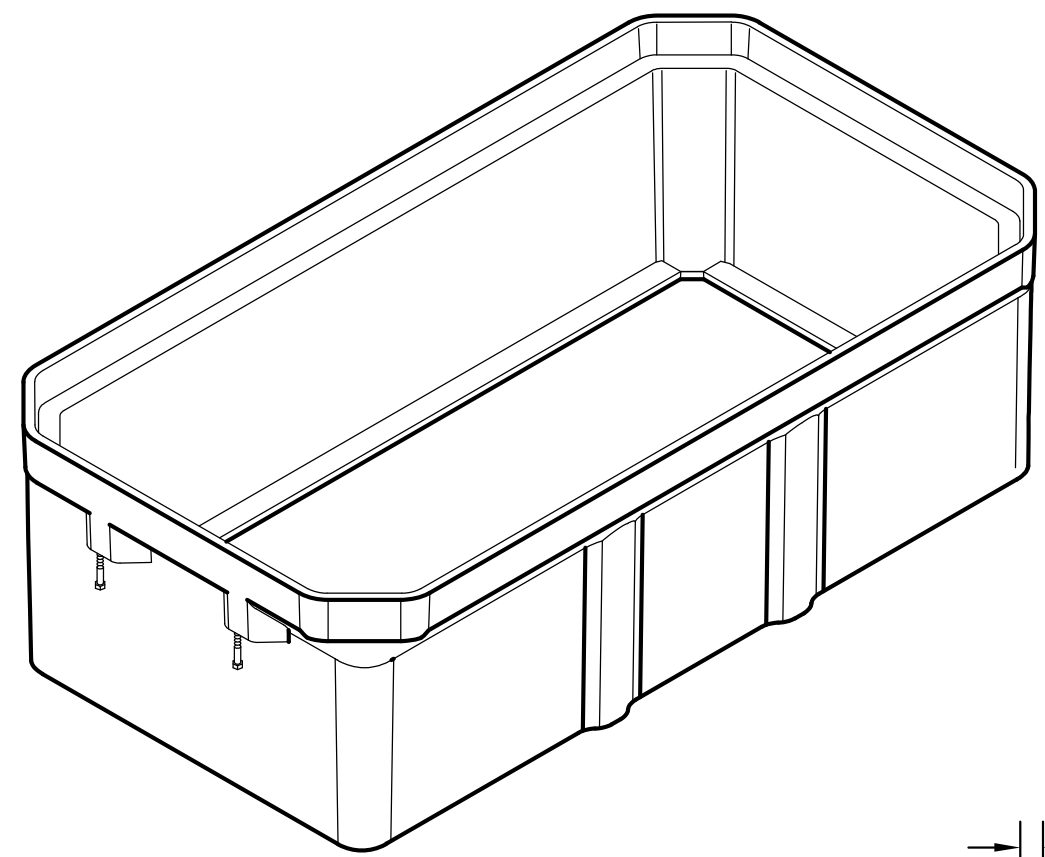
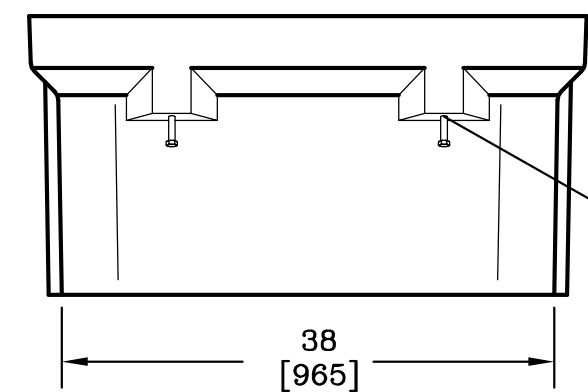
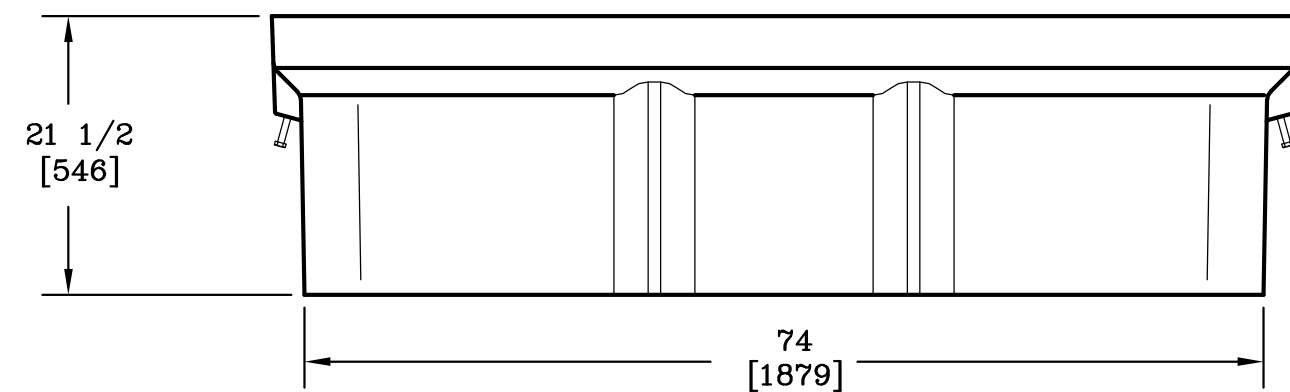


1/2-6 SELF ALIGNING,  
REPLACEABLE S.S. EZ-NUT  
2 PLACES




**SECTION A-A**



1/2-13 UNC  
LIFTING BOLT  
4 PLACES

**NOTE:**

1. DIMENSIONS IN BRACKETS ARE  
IN MILLIMETERS UNLESS OTHERWISE  
SPECIFIED

ALL DIMENSIONS ARE IN INCHES UNLESS OTHERWISE SPECIFIED						
DSN	BY	DATE	WEIGHT		3621 INDUSTRIAL PARK DR LENOIR CITY, TN 37771 865 986-9726	LOC
			566# 257kg			HQ
DRN	JJP	6/22/04	SCALE	LENOIR CITY, INC.	DRAWING TITLE	S
CHK	KPC	7/12/04	3/4"=1'			REV
ENG			SIZE	<b>QUAZITE®</b> <b>BOX</b>		C
APR	M&F	7/13/04	B			3/12
APR						
JOB NUMBER				DRAWING NUMBER		
04684				PG3672DA21		
SHEET 1 OF 1						