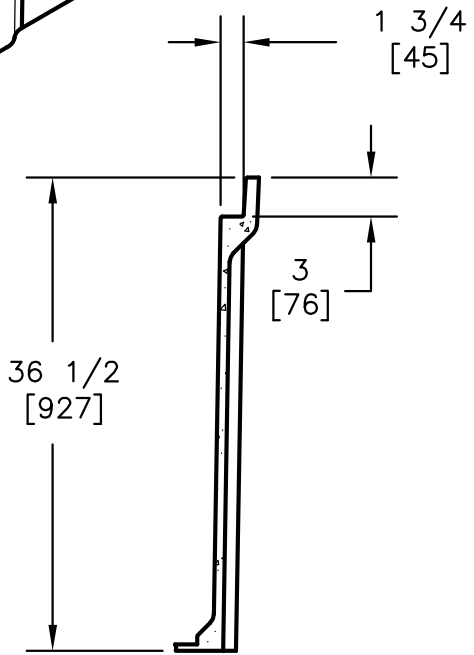
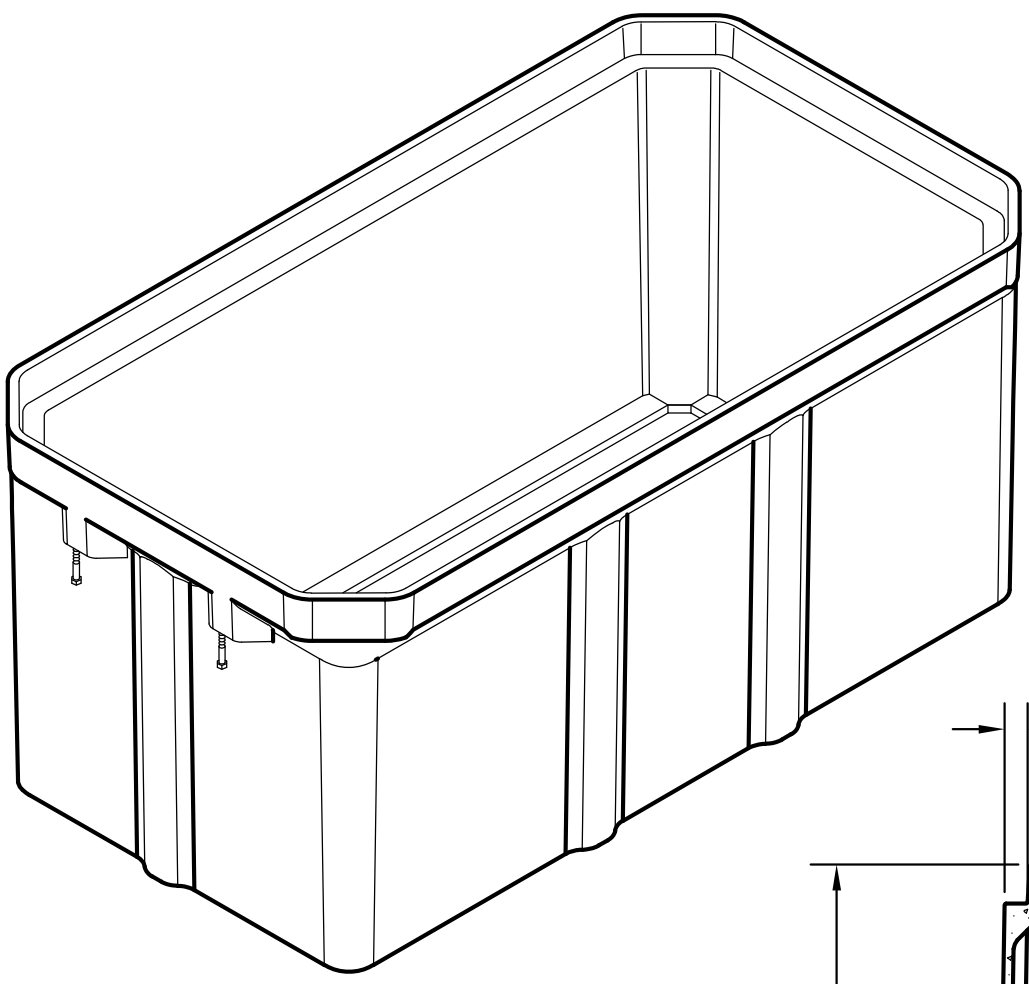
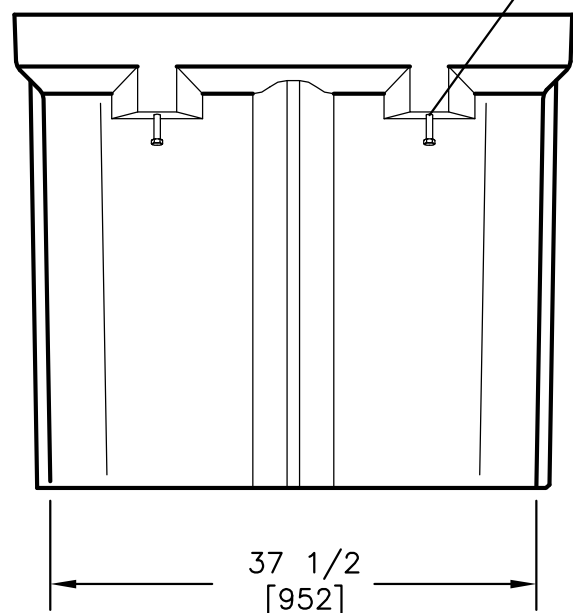
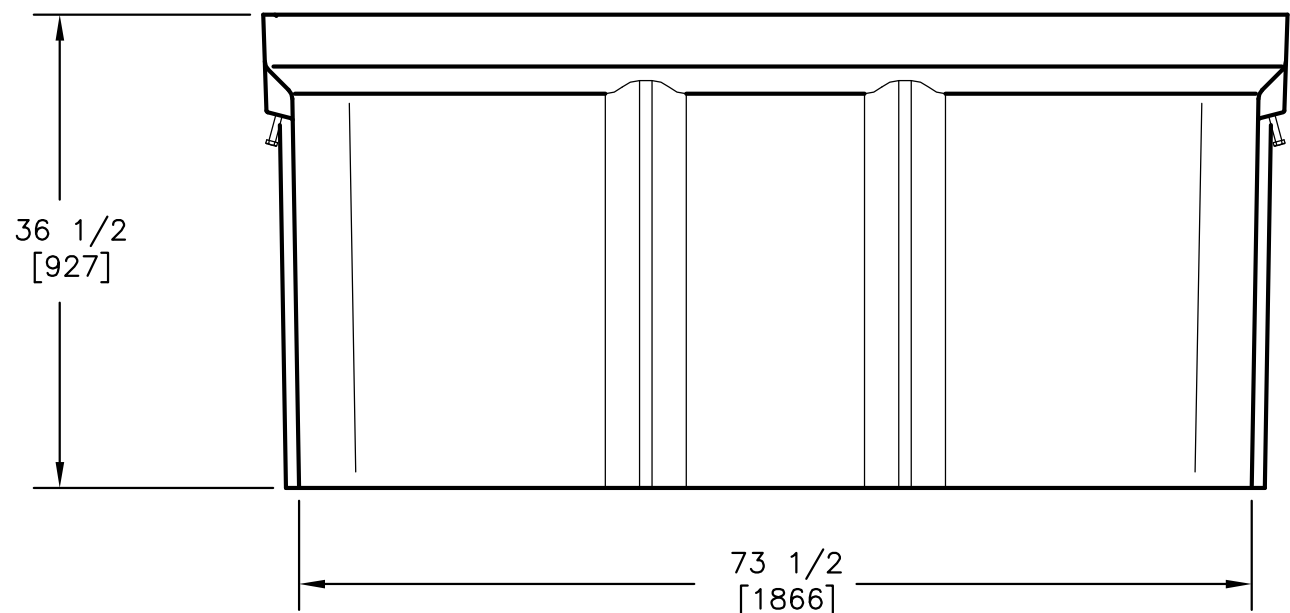


1/2-6 SELF ALIGNING,  
REPLACEABLE S.S. EZ-NUT  
2 PLACES




**SECTION A-A**



1/2-13 UNC  
LIFTING BOLT  
4 PLACES

**NOTE:**  
1. DIMENSIONS IN BRACKETS ARE  
IN MILLIMETERS UNLESS OTHERWISE SPECIFIED

DIMENSIONS ARE IN INCHES OR MILLIMETERS IN BRACKETS UNLESS OTHERWISE SPECIFIED				 3621 INDUSTRIAL PARK DR LENOIR CITY, TN 37771 800-346-3062 www.quazite.com		LOC
DRN	BY	DATE	WEIGHT	DRAWING DESCRIPTION		S
CHK	WRJ	5/8/02	822# 373kg			REV
ENG			SCALE			D
APR			3/4"=1'			3/12
APR			SIZE			
PROJECT NUMBER			B	<b>QUAZITE® BOX</b>		
02389						
SHEET 1 OF 1				DRAWING NUMBER		
				PG3672DA36		