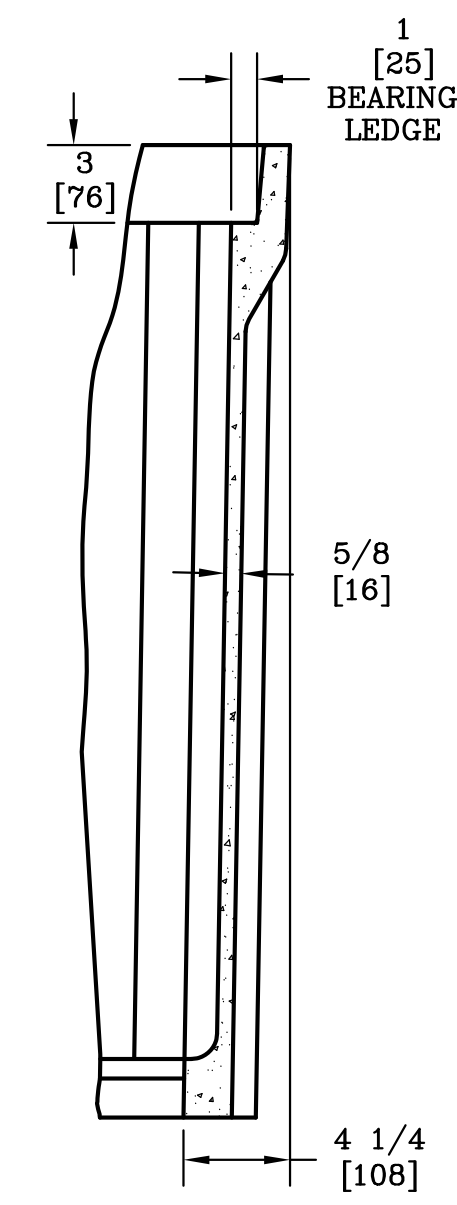
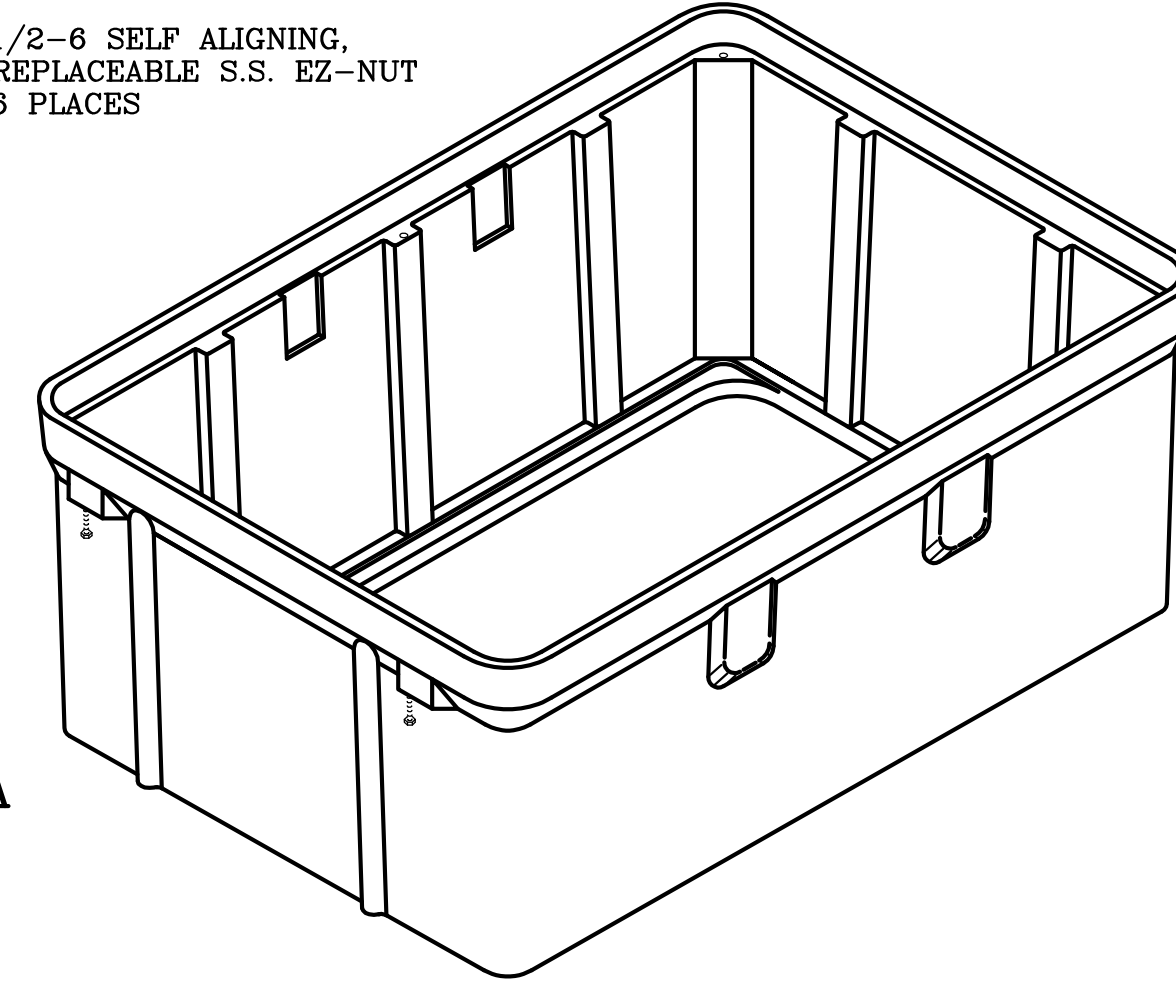
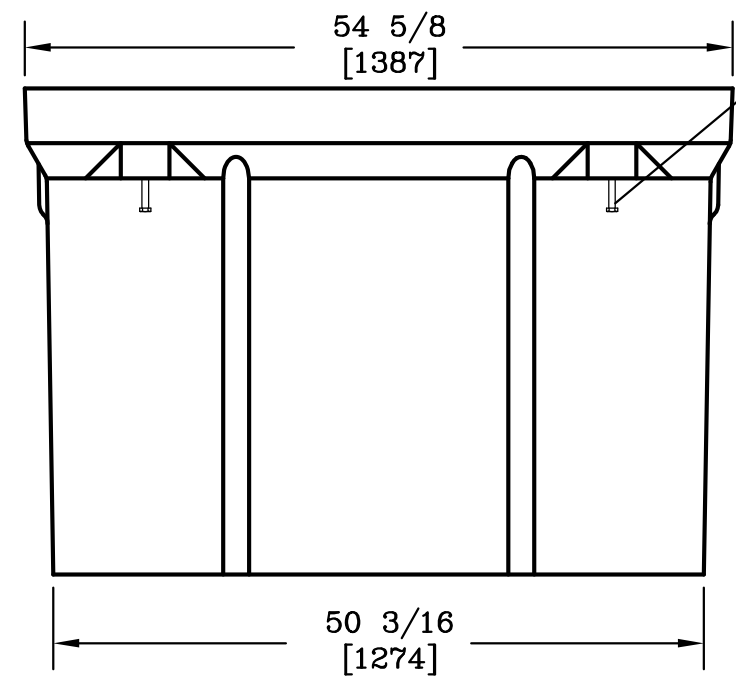
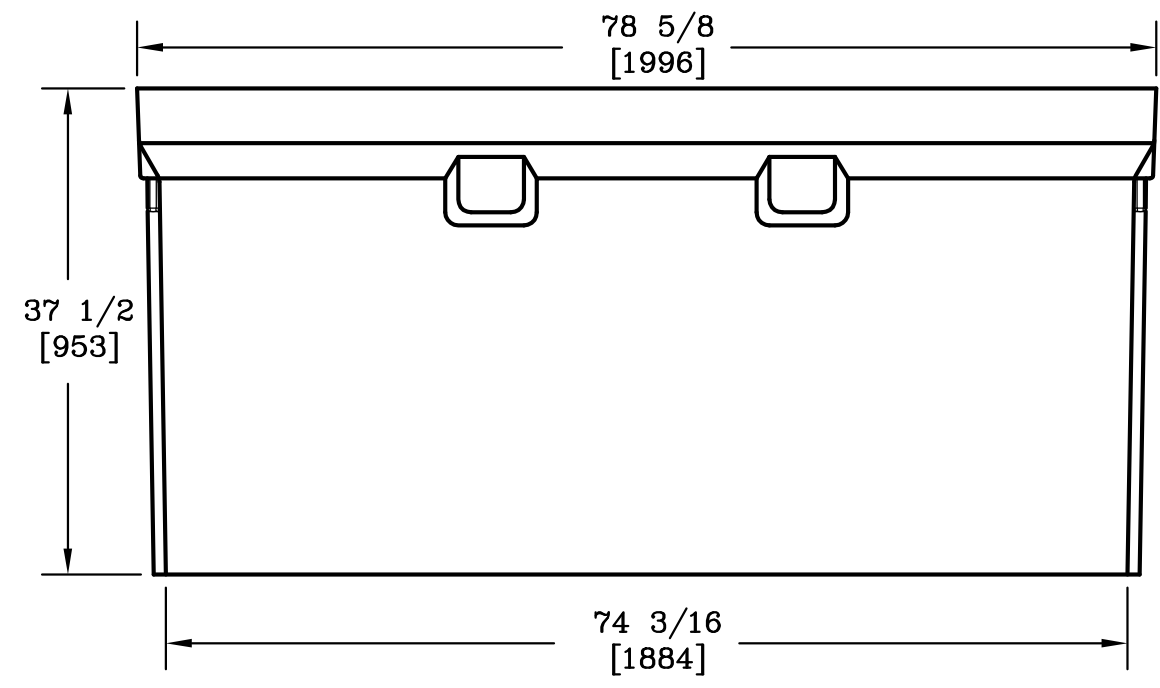


1/2-6 SELF ALIGNING,  
REPLACEABLE S.S. EZ-NUT  
6 PLACES




**SECTION A-A**  
SCALE: 3/8"=1'



1/2-13 UNC  
LIFTING BOLT  
4 PLACES

**NOTE:**

1. DIMENSIONS IN BRACKETS ARE IN MILLIMETERS UNLESS NOTED OTHERWISE.

DIMENSIONS ARE IN INCHES OR MILLIMETERS IN BRACKETS UNLESS OTHERWISE NOTED.						
DRN	BY	DATE	WEIGHT		3621 INDUSTRIAL PARK DR LENOIR CITY, TN 37771 800-346-3062 www.quazite.com	LOC
CHK	ENG	APR	764# 347kg			S
APR	APR	APR	SCALE	DRAWING DESCRIPTION		REV
APR	APR	APR	3/4"=1'			D
PROJECT NUMBER			SIZE	QUAZITE® BOX		3/12
98213			B			
SHEET 1 OF 1				DRAWING NUMBER PG4872BA36		