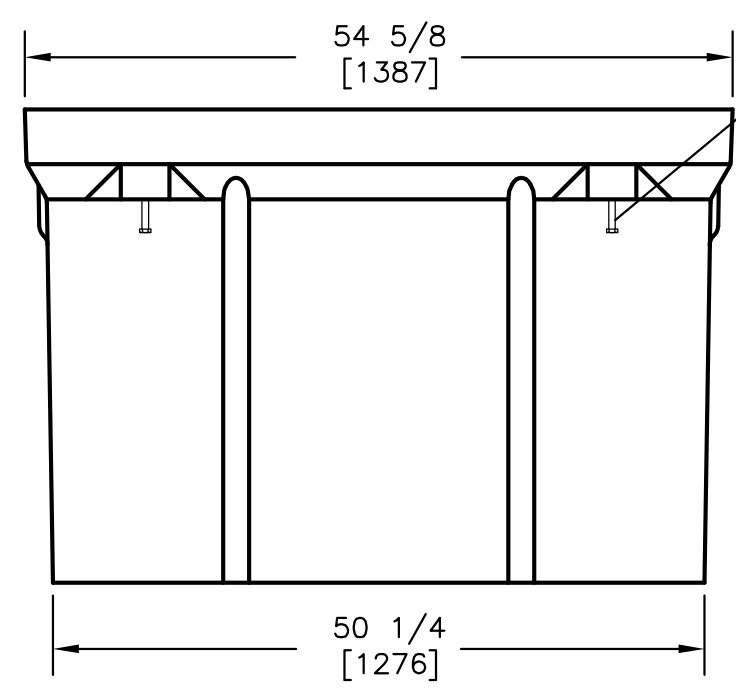
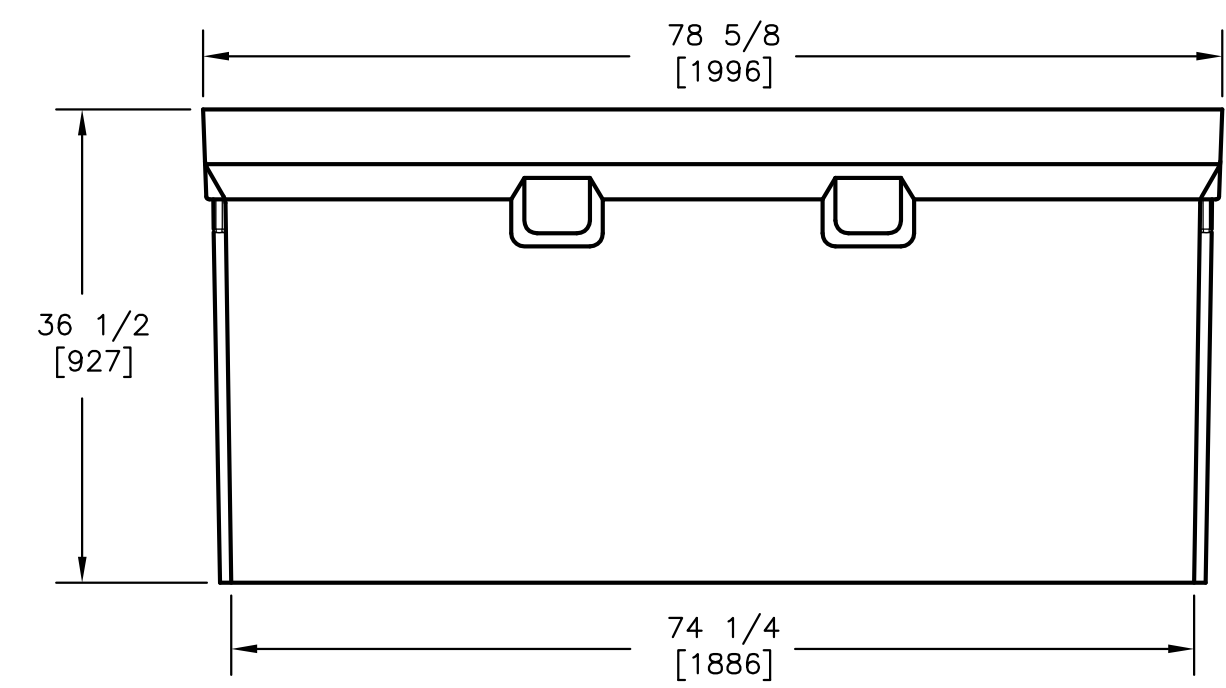



SECTION A-A
SCALE: 3/8"=1'



NOTE:
1. DIMENSIONS IN BRACKETS ARE IN MILLIMETERS UNLESS NOTED OTHERWISE.

DIMENSIONS ARE IN INCHES OR MILLIMETERS IN BRACKETS UNLESS OTHERWISE NOTED.				 3621 INDUSTRIAL PARK DR LENOIR CITY, TN 37771 800-346-3062 www.quazite.com	LOC	
DRN	BY	DATE	WEIGHT		DRAWING DESCRIPTION	S
CHK	ENG	SCALE	410kg	QUAZITE® BOX		REV
APR	APR	SIZE	3/4"=1'			D
APR		B				3/12
PROJECT NUMBER						DRAWING NUMBER
04687				PG4872DA36		
SHEET 1 OF 1						