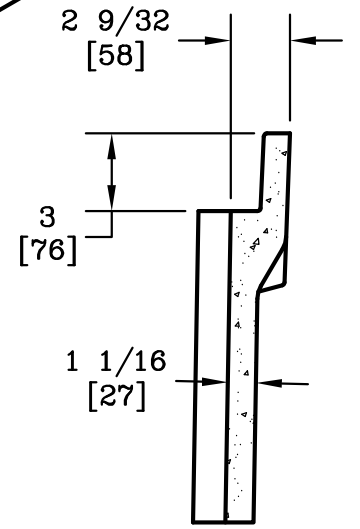
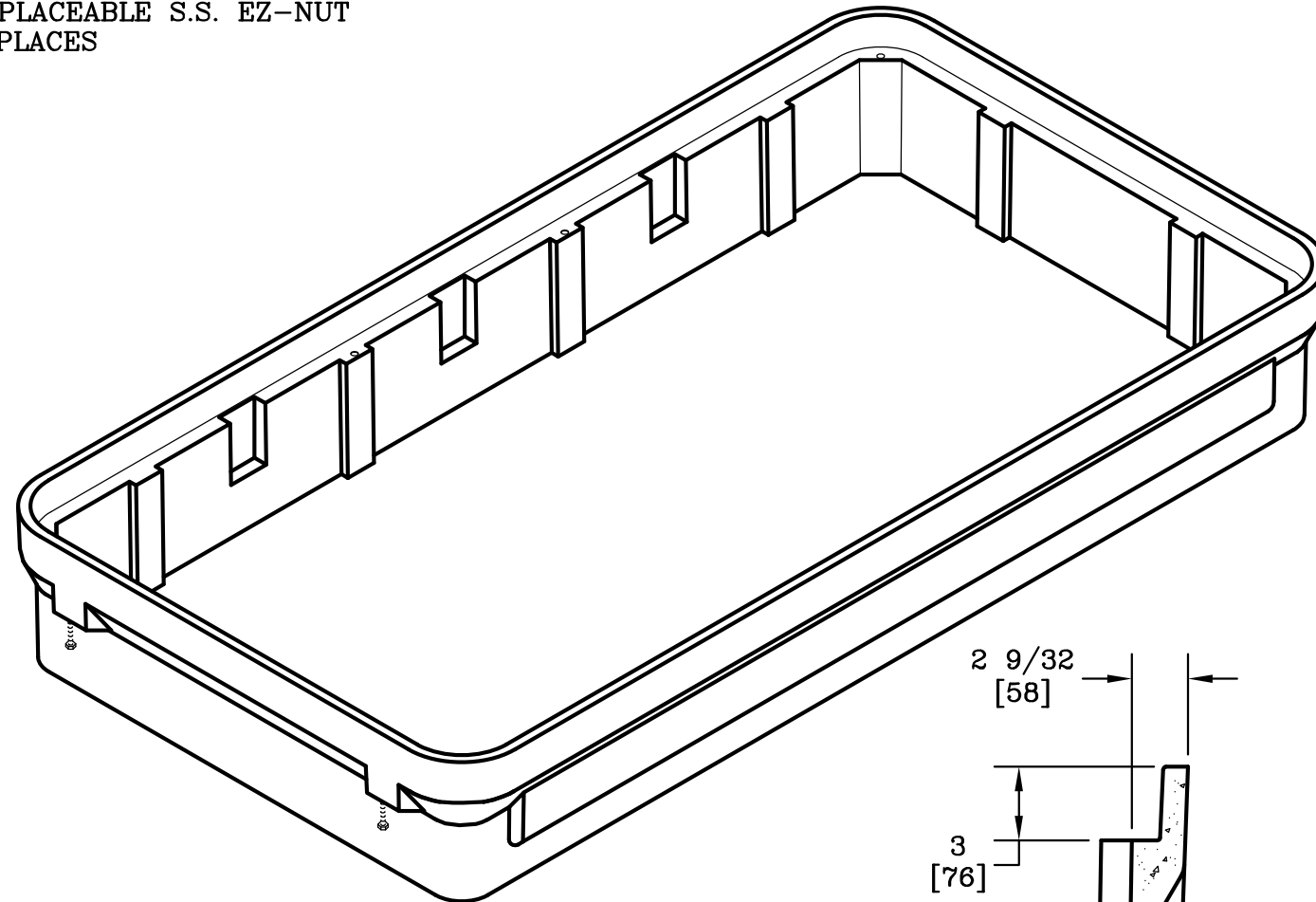
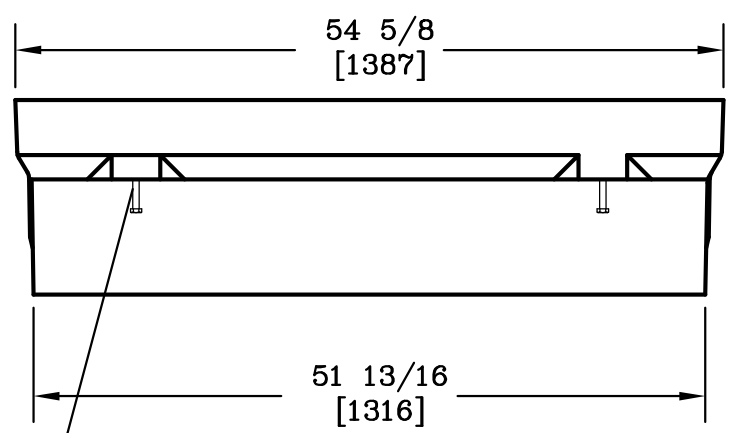
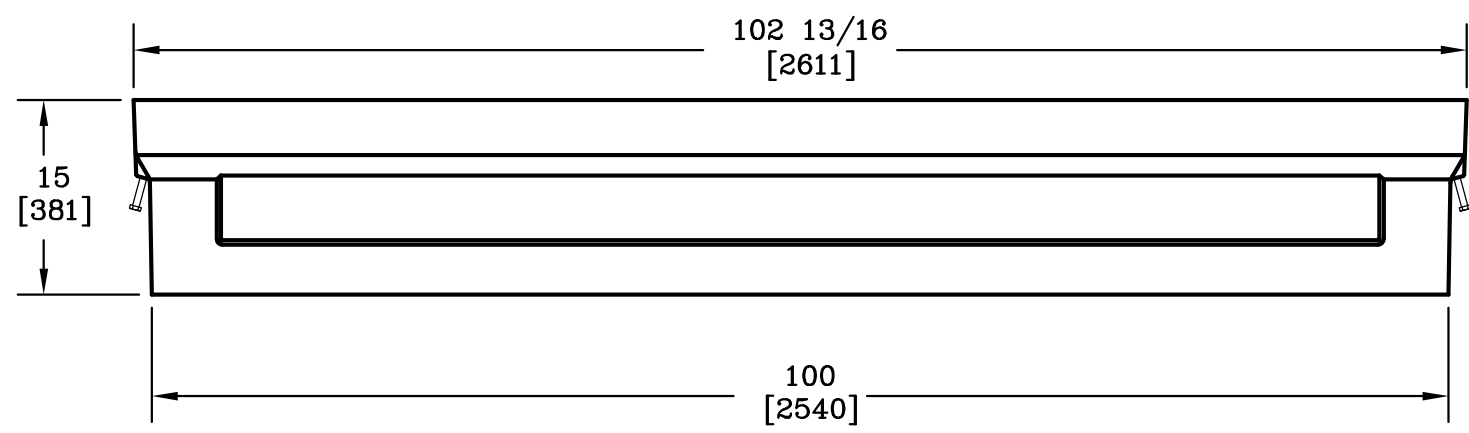


1/2-6 SELF ALIGNING,
REPLACEABLE S.S. EZ-NUT
8 PLACES




SECTION A-A

NOTE:
1. DIMENSIONS IN BRACKETS ARE IN MILLIMETERS UNLESS NOTED OTHERWISE.



1/2-13 UNC
LIFTING BOLT
4 PLACES

DIMENSIONS ARE IN INCHES OR MILLIMETERS IN BRACKETS UNLESS OTHERWISE NOTED.						
DRN	BY	DATE	WEIGHT	 3621 INDUSTRIAL PARK DR LENOIR CITY, TN 37771 800-346-3062 www.quazite.com	LOC	
CHK			485# 220kg		S	
ENG			SCALE	DRAWING DESCRIPTION	REV	
APR			3/4"=1'		QUAZITE® EXTENSION	E
APR			SIZE			3/12
PROJECT NUMBER						
98796						
SHEET 1 OF 1				DRAWING NUMBER		
				PG4896EA12		