



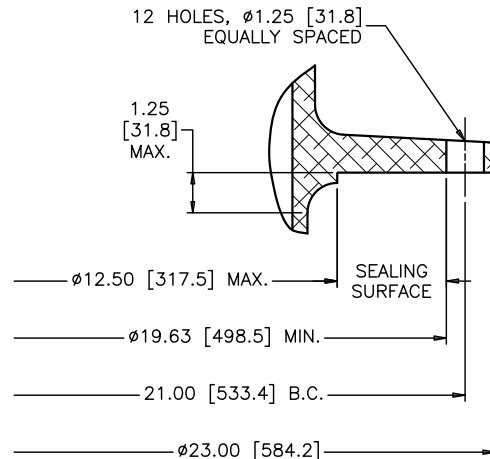
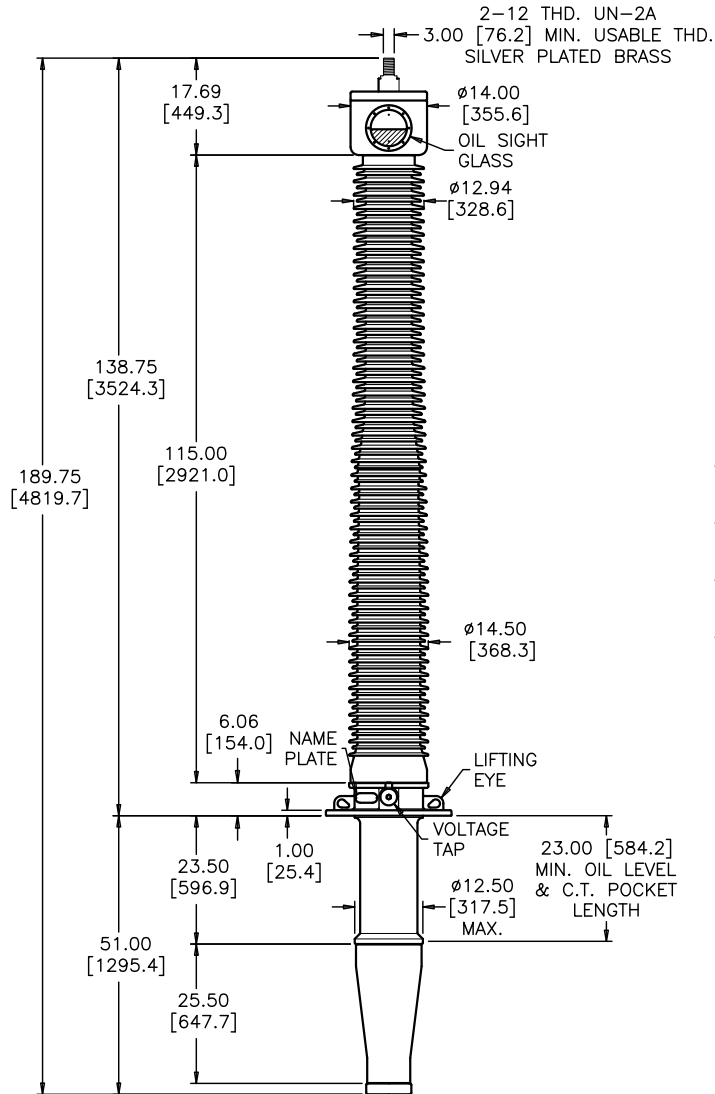
PCORE
ELECTRIC

KV CLASS	345 kV	BIL	1175 kV	Uy	220 kV
CURRENT RATING					
3000 AMP BOTTOM CONN. TRANSFORMER 3500 AMP BOTTOM CONN. OIL CIR. BREAKER					
MIN. CREEP	345.00 [8763.0]	MIN. STRIKE	115.00 [2921.0]		
CREEP/L-G	1.73 [44.0]	STD.	IEEE C57.19.00/01		
PCB CONTENT OF OIL IS LESS THAN 1 ppm					

DWG.	CATALOG NUMBER	GLAZE COLOR
SD	POC1175B3000S	BROWN
SD	POC1175G3000S	LT. GRAY

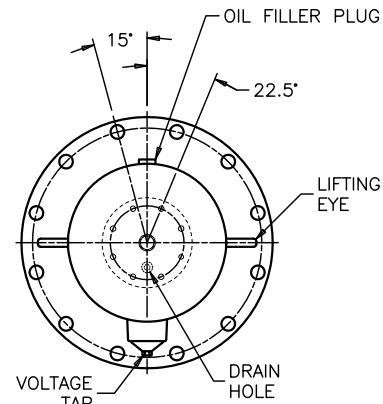
TITLE	POC BUSHING
	TRANSFORMER - BREAKER INTERCHANGEABLE SILVER PLATED BRASS TOP TERMINAL

DATE	12-01-00	REV. DATE	9-22-15
MAXIMUM ALTITUDE	10000 ft [3000 m]		
NET WEIGHT	1450 lb [658 kg]		
ANGLE OF INCLINATION FROM THE VERTICAL	0° TO 60°		

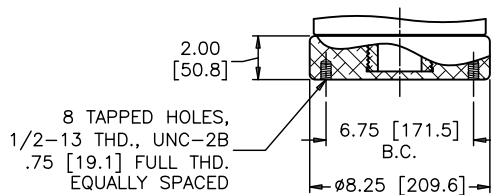


MOUNTING FLANGE

ALIGNMENT BETWEEN HOLES
IN BOTTOM TERMINAL & IN
FLANGE COINCIDE WITHIN ±2'



**ALIGNMENT OF FLANGE
AND BOTTOM TERMINAL
TOP VIEW**



BOTTOM END CAP

DIMENSIONS IN INCHES [MILLIMETERS]

REVISION UPDATED FORMAT, CREEP/L-G WAS CREEP/Uy, OIL CIR. BREAKER CURRENT RATING WAS 3000 AMP, REV. BOTTOM DETAIL, WT. WAS 1423 lb **SCALE** 1/1

NOTE TO PURCHASER:
ALL SALES OF PCORE PRODUCTS ARE SUBJECT
TO OUR STANDARD TERMS AND CONDITIONS
AND THE LIMITED WARRANTIES THEREUNDER