



**PCORE**  
ELECTRIC

**KV CLASS** 500 **BIL.** 1675 kV **Uy** 318 kV

**CURRENT RATING**

2000 AMP BOTTOM CONN. TRANSFORMER  
2500 AMP BOTTOM CONN. OIL CIR. BREAKER

**DWG.** **CATALOG NUMBER** **GLAZE COLOR**

SD POC1675B2000S BROWN

SD POC1675G2000S LT. GRAY

**TITLE**  
POC BUSHING

SILVER PLATED BRASS  
TOP TERMINAL

**DATE** 11-1-17 **REV. DATE**

**MAXIMUM ALTITUDE** 3300 ft [1000 m]

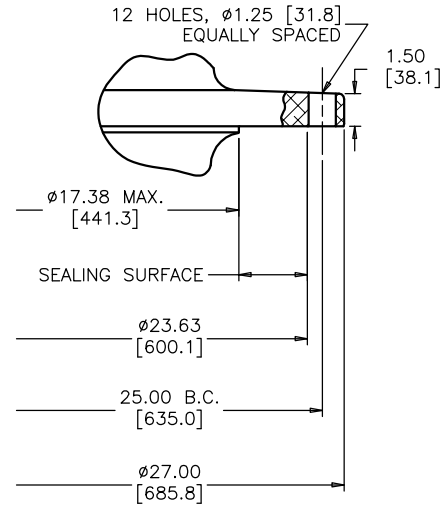
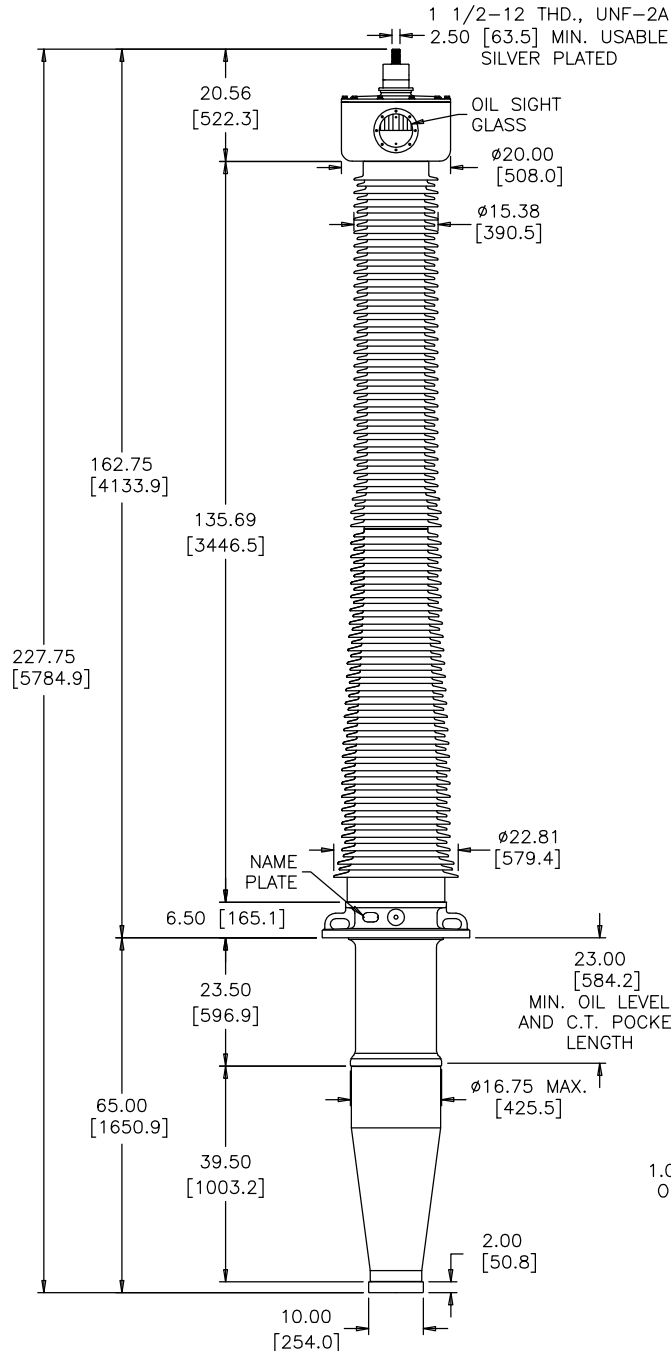
**NET WEIGHT** 2360 lb [1070 kg]

**ANGLE OF INCLINATION FROM THE VERTICAL** 0° TO 30°

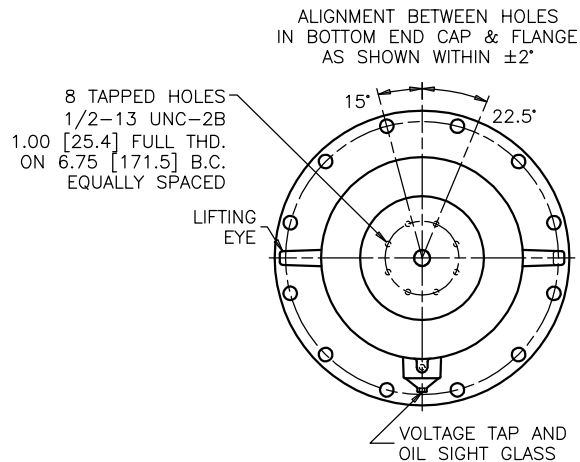
**MIN. CREEP** 526.00 [13360.4] **MIN. STRIKE** 135.00 [3429.0]

**CREEP/L-G** 1.82 [46.3] **STD.** IEEE C57.19.00/01

PCB CONTENT OF OIL IS LESS THAN 1 ppm



**MOUNTING FLANGE**



**ALIGNMENT OF FLANGE AND BOTTOM TERMINAL TOP VIEW**

DIMENSIONS IN INCHES [MILLIMETERS]

REVISION

SCALE 1/24

NOTE TO PURCHASER:  
ALL SALES OF PCORE PRODUCTS ARE SUBJECT TO OUR STANDARD TERMS AND CONDITIONS AND THE LIMITED WARRANTIES THEREUNDER