



KV CLASS 161 kV **BIL** 750 kV **Uy** 146 kV

CURRENT RATING

800A DRAW LEAD CONN. IN 55°C RISE OIL
 1200A BOTTOM CONNECTION IN 55°C RISE OIL
 1600A BOTTOM CONNECTION IN 40°C RISE OIL

DWG.	CATALOG NUMBER	GLAZE COLOR
SD	POC750B0800CS	BROWN
SD	POC750G0800CS	LT. GRAY

DATE 6-5-98 **REV. DATE** 9-11-06

MAXIMUM ALTITUDE 10000 ft [3000 m]

NET WEIGHT 500 lb [227 kg]

ANGLE OF INCLINATION FROM THE VERTICAL 0° TO 60°

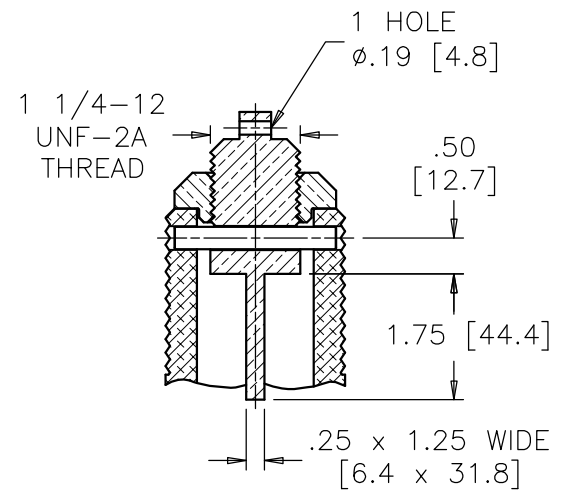
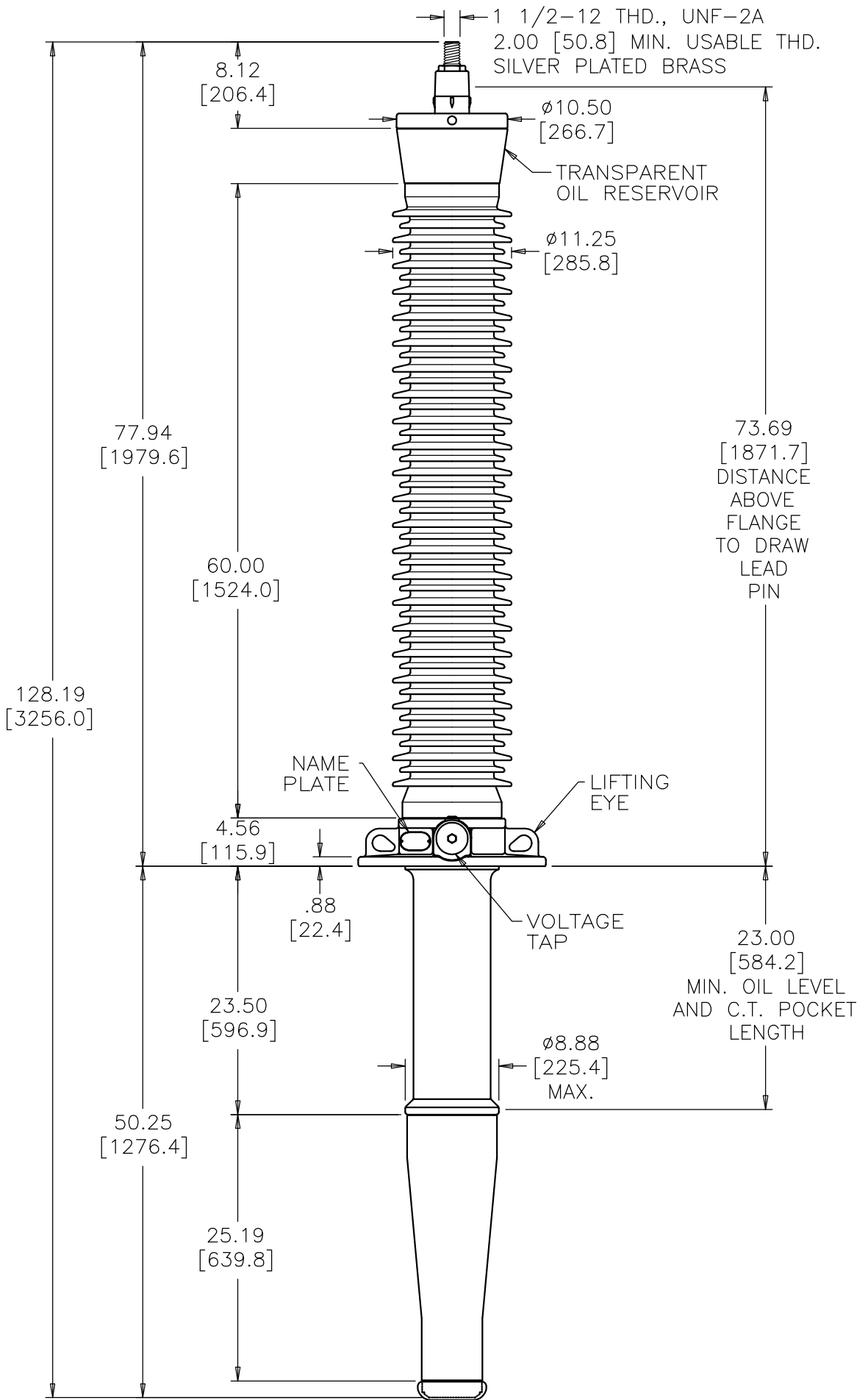
MIN. CREEP 161.00 [4089.4] **MIN. STRIKE** 65.00 [1651.0]

CREEP/Uy 1.10 [28.0] **STD.** IEEE C57.19.00

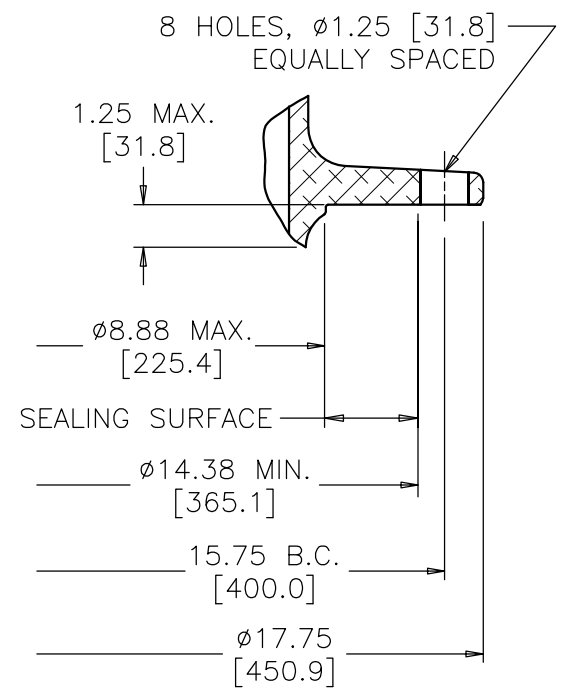
PCB CONTENT OF OIL IS LESS THAN 1 ppm

TITLE IEEE STANDARD BUSHING
 TRANSFORMER – BREAKER INTERCHANGEABLE
 COATED BOTTOM TRANSFORMER SHIELD
 SILVER PLATED BRASS TOP TERMINAL

NOTE: ACTUAL DRAW-LEAD CURRENT RATING IS DETERMINED BY CABLE SIZE

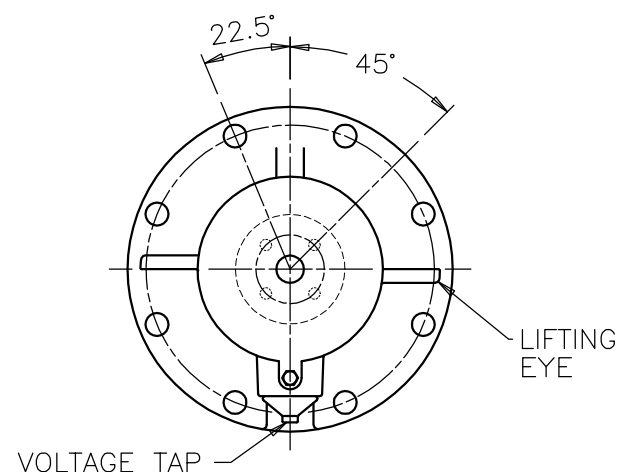


DRAW LEAD ASSEMBLY

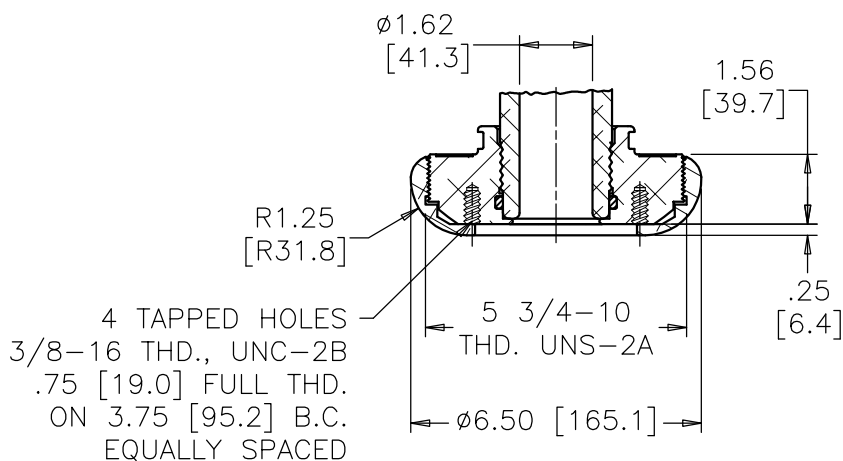


MOUNTING FLANGE

ANGLE BETWEEN HOLES IN BOTTOM TERMINAL & IN FLANGE COINCIDE WITHIN ±2°



ALIGNMENT OF FLANGE AND BOTTOM TERMINAL TOP VIEW



TWO PIECE BOTTOM END CAP WITH COATED TRANSFORMER SHIELD

DIMENSIONS IN INCHES [MILLIMETERS]