



KV CLASS 161 kV **BIL** 750 kV **Uy** 146 kV

CURRENT RATING

800A DRAW LEAD CONN. IN 55°C RISE OIL
 1200A BOTTOM CONNECTION IN 55°C RISE OIL
 1600A BOTTOM CONNECTION IN 40°C RISE OIL

DWG. **CATALOG NUMBER** **GLAZE COLOR**

SD	POC750B0800T	BROWN
SD	POC750G0800T	LT. GRAY

TITLE IEEE STANDARD BUSHING

TRANSFORMER – BREAKER
 INTERCHANGEABLE

TIN PLATED BRASS TOP TERMINAL

DATE 5-26-98 **REV. DATE** 9-11-06

MAXIMUM ALTITUDE 10000 ft [3000 m]

NET WEIGHT 500 lb [227 kg]

ANGLE OF INCLINATION FROM THE VERTICAL 0° TO 60°

MIN. CREEP 161.00 [4089.4]

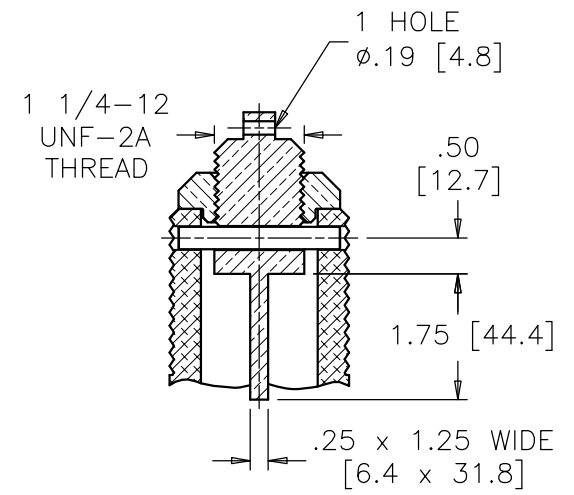
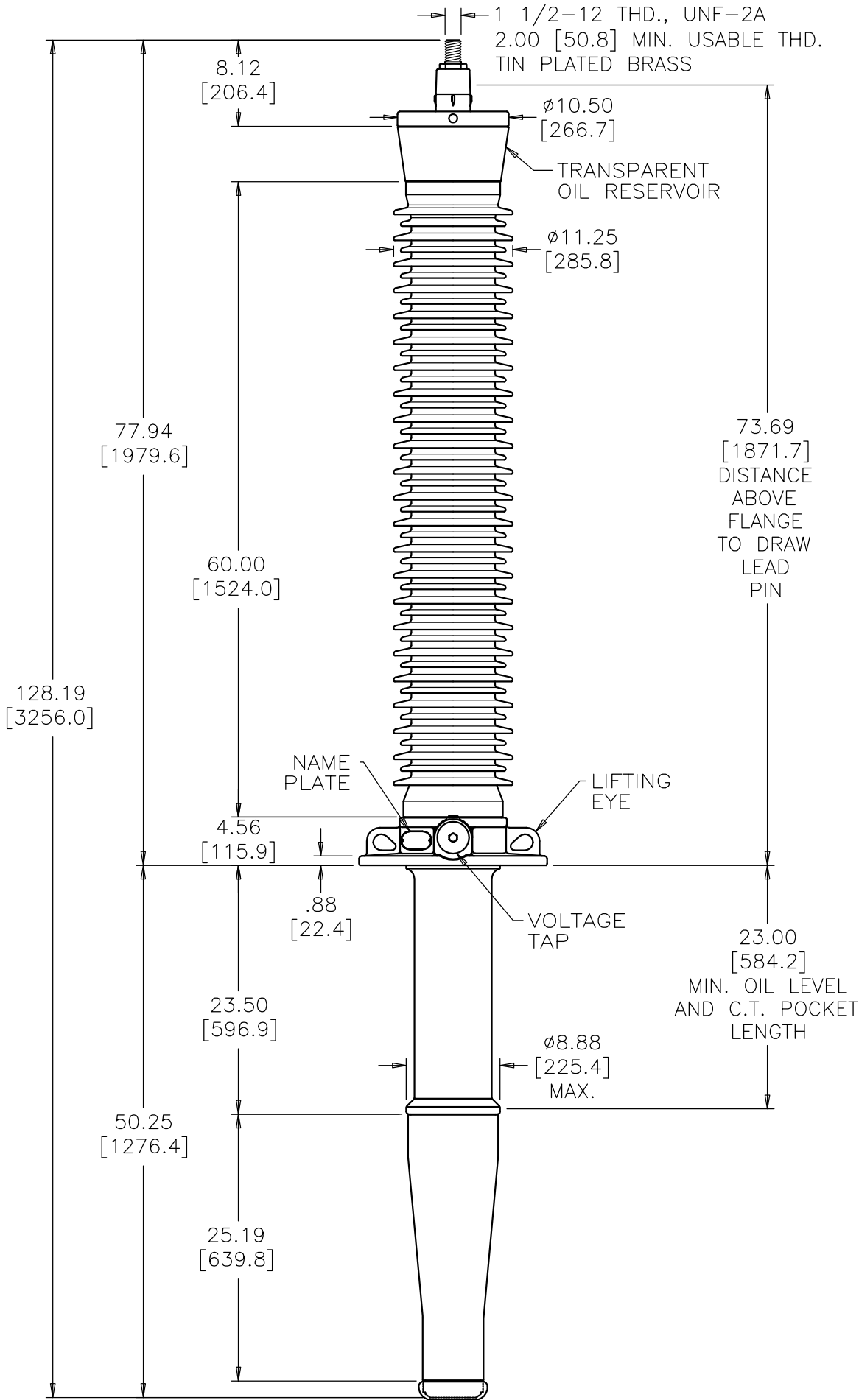
MIN. STRIKE 65.00 [1651.0]

CREEP/Uy 1.10 [28.0]

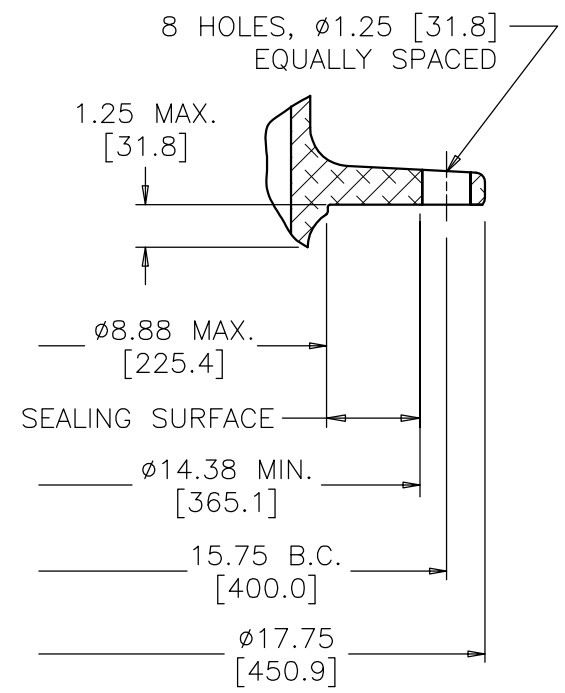
STD. IEEE C57.19.00

PCB CONTENT OF OIL IS LESS THAN 1 ppm

NOTE: ACTUAL DRAW-LEAD CURRENT RATING IS DETERMINED BY CABLE SIZE

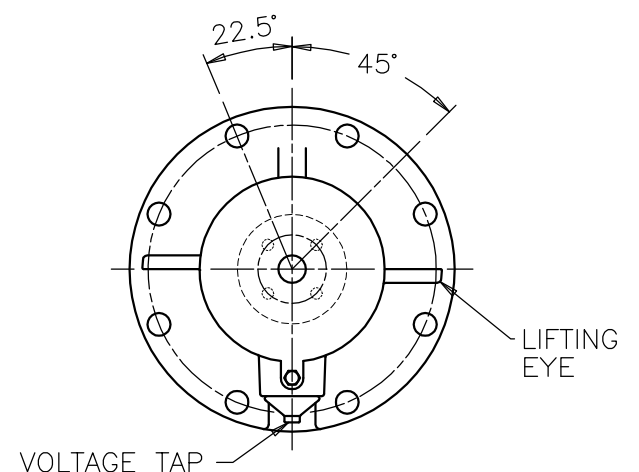


DRAW LEAD ASSEMBLY

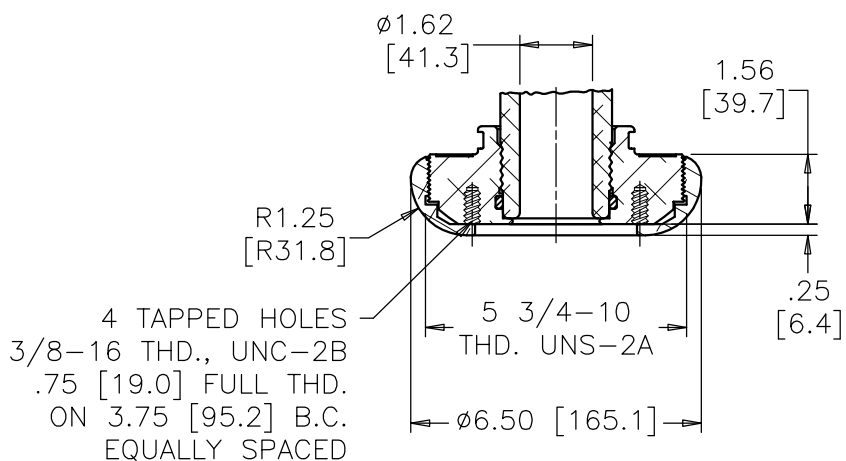


MOUNTING FLANGE

ANGLE BETWEEN HOLES IN BOTTOM TERMINAL & IN FLANGE COINCIDE WITHIN ±2°



ALIGNMENT OF FLANGE AND BOTTOM TERMINAL TOP VIEW



TWO PIECE BOTTOM END CAP WITH UNCOATED TRANSFORMER SHIELD

DIMENSIONS IN INCHES [MILLIMETERS]