



KV CLASS 161 kV **BIL** 750 kV **Uy** 146 kV

CURRENT RATING

1200A BOTTOM CONNECTION IN 55°C RISE OIL
1600A BOTTOM CONNECTION IN 40°C RISE OIL

DWG.	CATALOG NUMBER	GLAZE COLOR
SD	POC750B1216RS	BROWN
SD	POC750G1216RS	LT. GRAY

DATE 1-8-99 **REV. DATE** 5-18-06

MAXIMUM ALTITUDE 10000 ft [3000 m]

NET WEIGHT 500 lb [227 kg]

ANGLE OF INCLINATION FROM THE VERTICAL 0° TO 60°

MIN. CREEP 161.00 [4089.4] **MIN. STRIKE** 65.00 [1651.0]

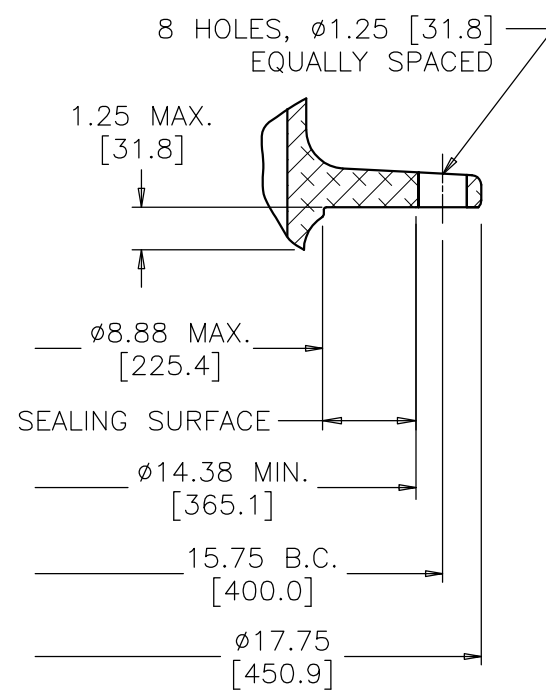
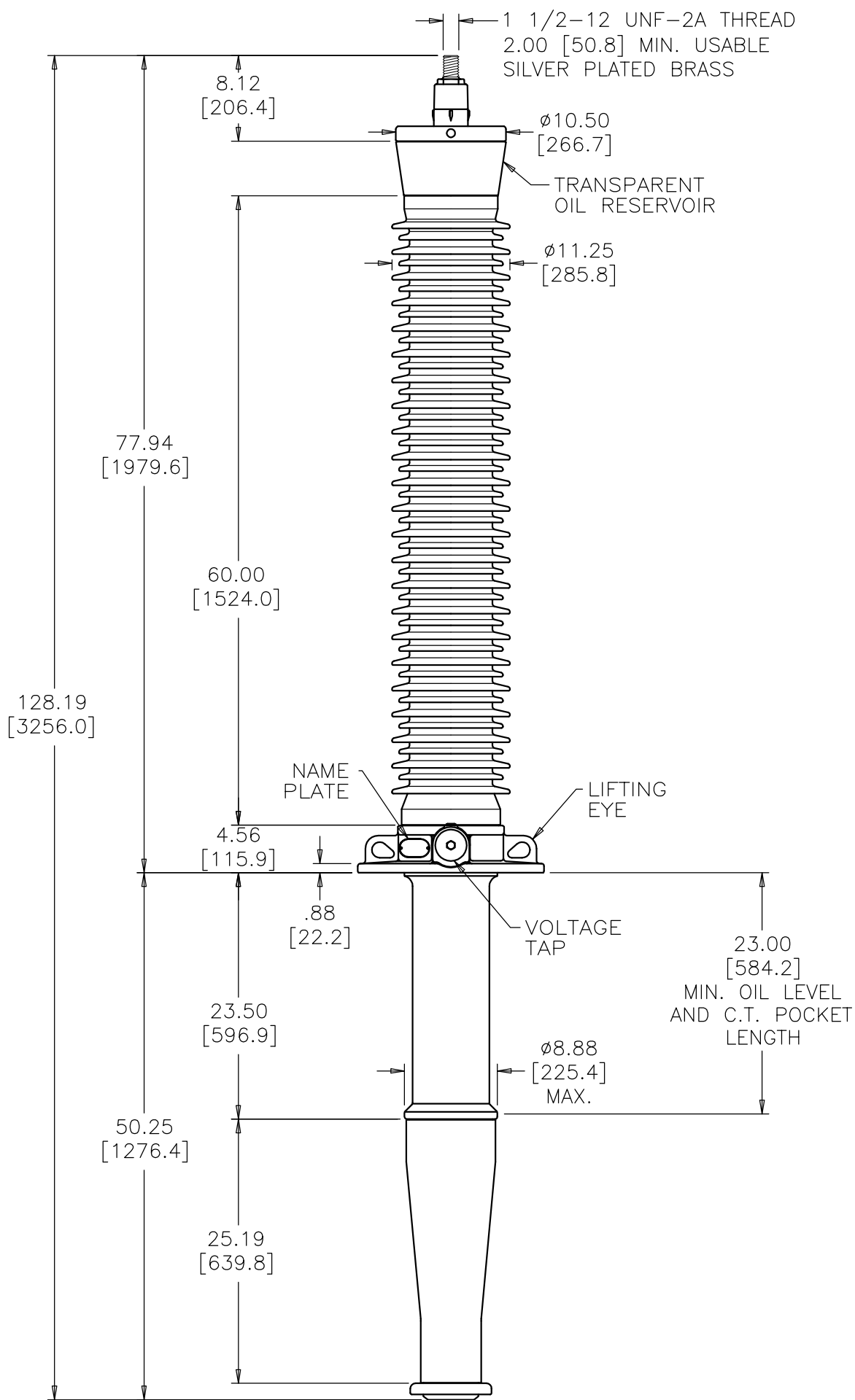
CREEP/Uy 1.10 [28.0] **STD.** IEEE C57.19.00

PCB CONTENT OF OIL IS LESS THAN 1 ppm

TITLE IEEE STANDARD BUSHING

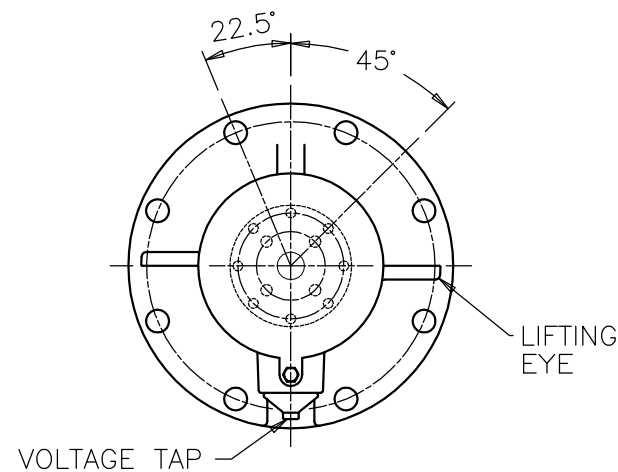
TRANSFORMER – BREAKER INTERCHANGEABLE

CIRCUIT BREAKER RING
SILVER PLATED TOP TERMINAL

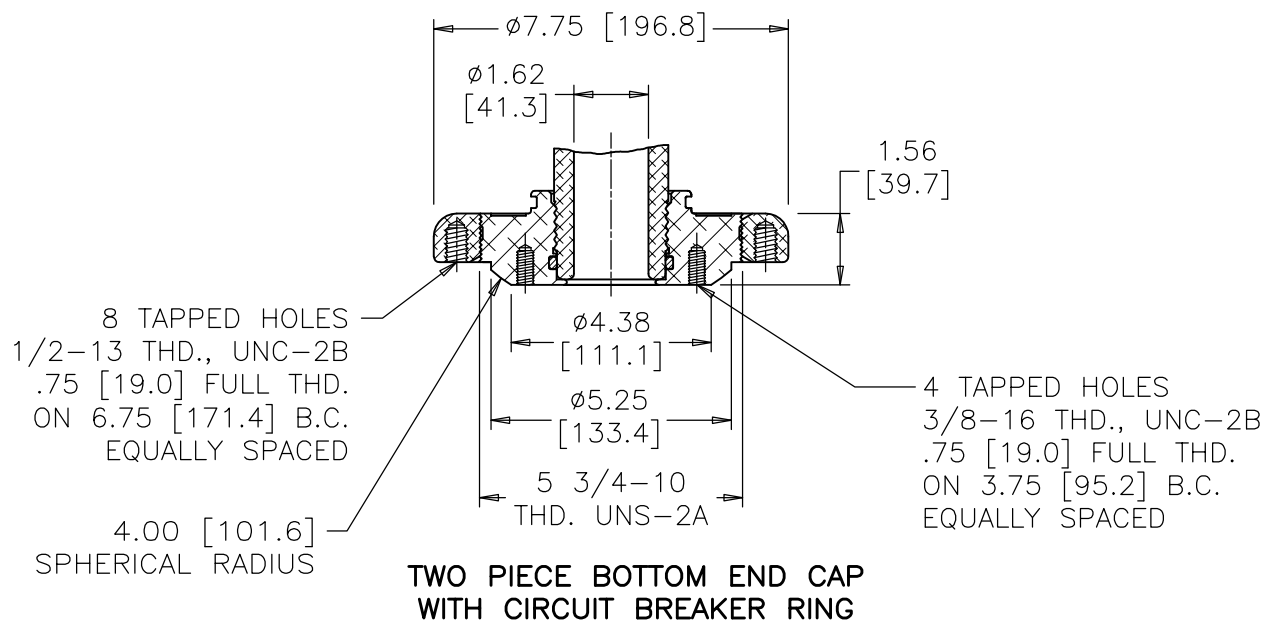


MOUNTING FLANGE

ANGLE BETWEEN HOLES IN BOTTOM TERMINAL & IN FLANGE COINCIDE WITHIN ±2°



ALIGNMENT OF FLANGE AND BOTTOM TERMINAL TOP VIEW



TWO PIECE BOTTOM END CAP WITH CIRCUIT BREAKER RING

DIMENSIONS IN INCHES [MILLIMETERS]