



PCORE
ELECTRIC

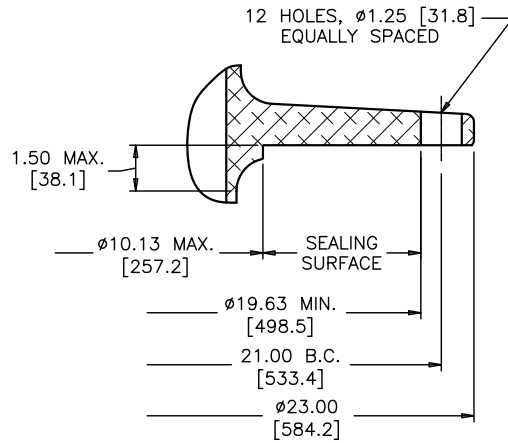
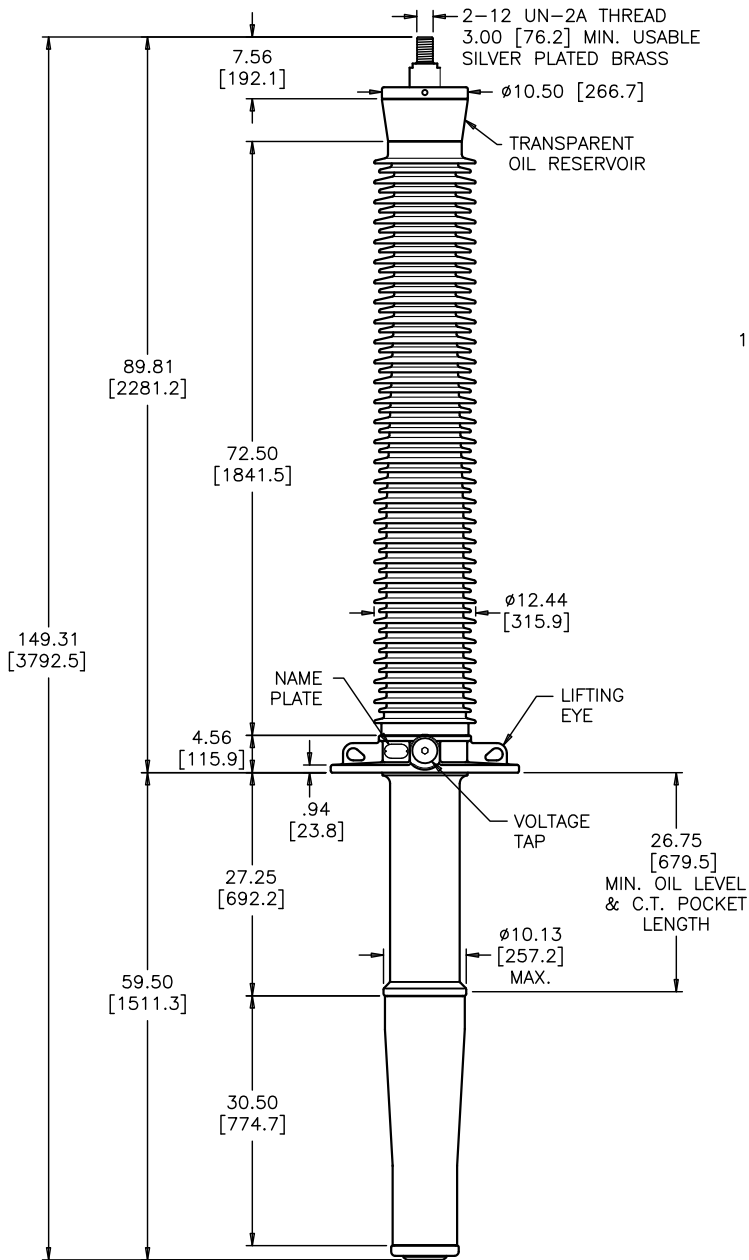
KV CLASS	230 kV	BIL	900 kV	Uy	146 kV
CURRENT RATING					
3000 AMP BOTTOM CONN. TRANSFORMER 3500 AMP BOTTOM CONN. OIL CIR. BREAKER					
MIN. CREEP	230.00 [5842.0]	MIN. STRIKE	78.00 [1981.2]		
CREEP/L-G	1.73 [44.0]	STD.	IEEE C57.19.00/01		
PCB CONTENT OF OIL IS LESS THAN 1 ppm					

DWG.	CATALOG NUMBER	GLAZE COLOR
SD	POC900B3000S	BROWN
SD	POC900G3000S	LT. GRAY

TITLE

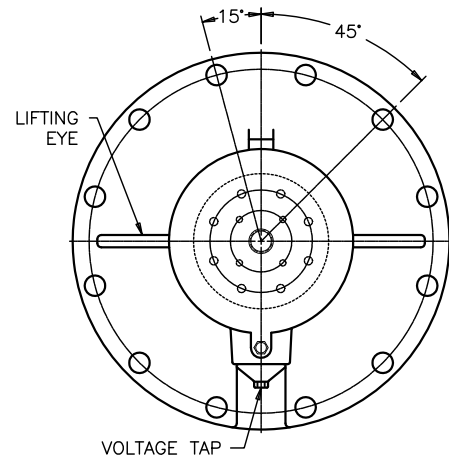
POC BUSHING
TRANSFORMER - BREAKER
INTERCHANGEABLE
SILVER PLATED BRASS TOP TERMINAL

DATE	9-16-98	REV. DATE	8-26-15
MAXIMUM ALTITUDE	10000 ft [3000 m]		
NET WEIGHT	800 lb [363 kg]		
ANGLE OF INCLINATION FROM THE VERTICAL	0° TO 60°		

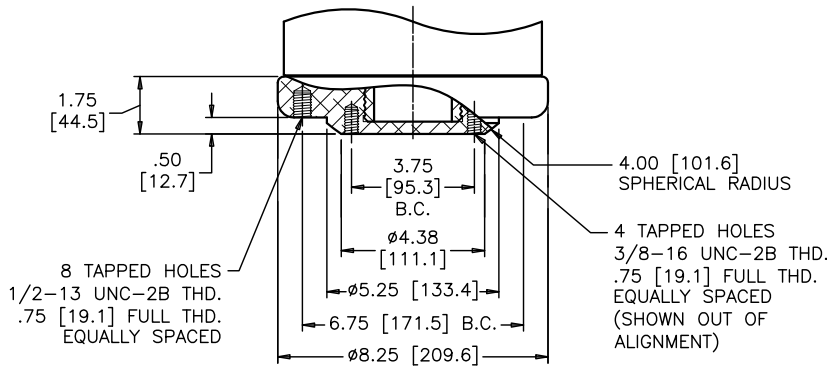


MOUNTING FLANGE

ANGLE BETWEEN HOLES IN BOTTOM TERMINAL & IN FLANGE COINCIDE WITHIN ±2°



ALIGNMENT OF FLANGE AND BOTTOM TERMINAL TOP VIEW



BOTTOM TERMINAL DETAIL

DIMENSIONS IN INCHES [MILLIMETERS]

REVISION UPDATED FORMAT, CREEP/L-G WAS CREEP/Uy, OIL CIR. BREAKER CURRENT RATING WAS 3000A, REV. BOTTOM TERM. DETAIL **SCALE** 1/16

NOTE TO PURCHASER:
ALL SALES OF PCORE PRODUCTS ARE SUBJECT TO OUR STANDARD TERMS AND CONDITIONS AND THE LIMITED WARRANTIES THEREUNDER