



**PCORE**  
ELECTRIC

**KV CLASS** 230 kV **BIL.** 900 kV **Uy** 146 kV

**CURRENT RATING**

3000 AMP BOTTOM CONN. TRANSFORMER  
3500 AMP BOTTOM CONN. OIL CIR. BREAKER

**DWG.** **CATALOG NUMBER** **GLAZE COLOR**

SD POC900B3000SX20 BROWN

SD POC900G3000SX20 LT. GRAY

**DATE** 2-19-99 **REV. DATE** 8-26-15

**MAXIMUM ALTITUDE** 10000 ft [3000 m]

**NET WEIGHT** 810 lb [368 kg]

**ANGLE OF INCLINATION FROM THE VERTICAL** 0° TO 60°

**MIN. CREEP** 230.00 [5842.0] **MIN. STRIKE** 78.00 [1981.2]

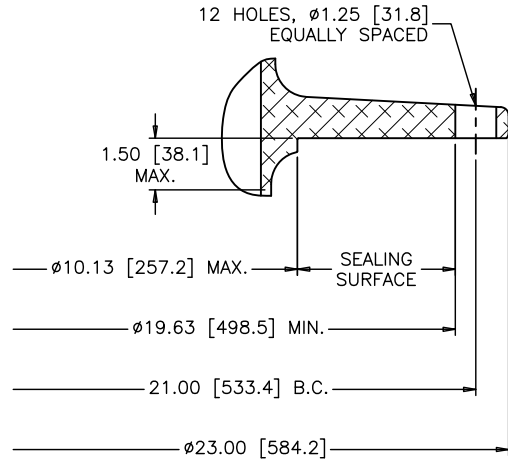
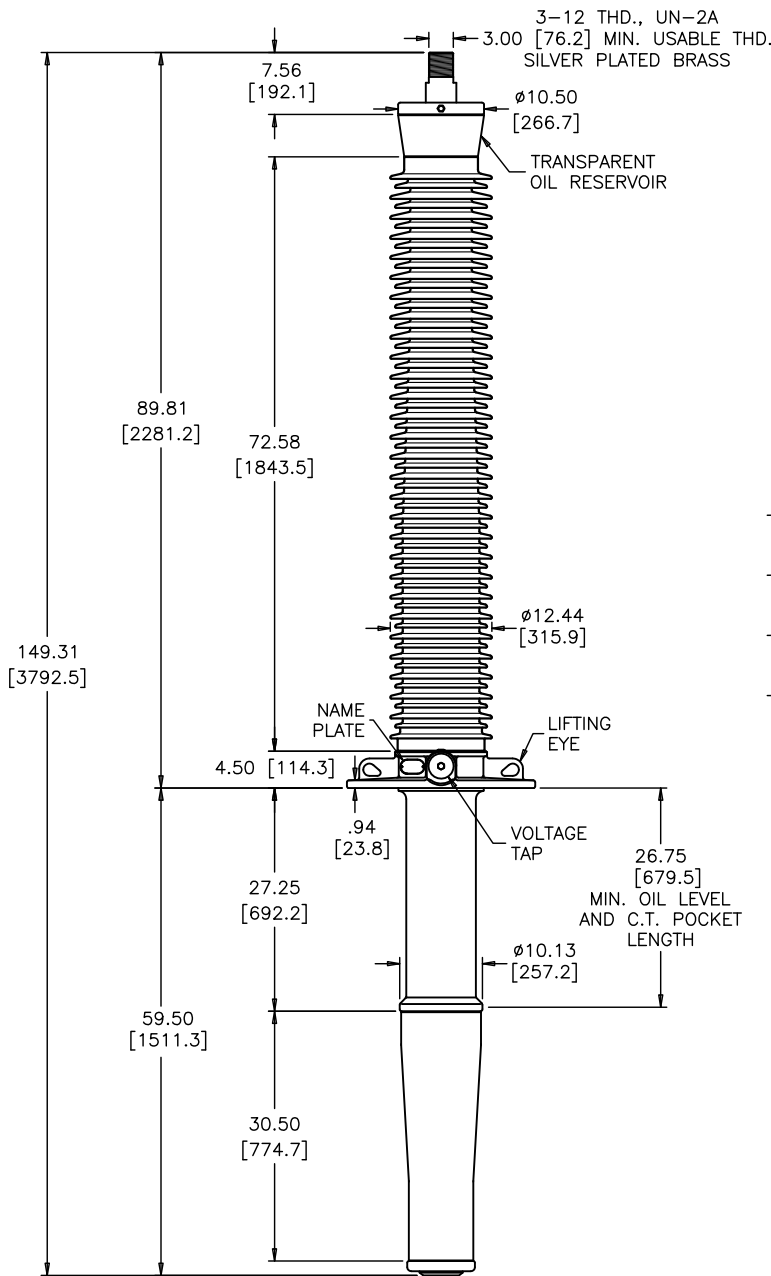
**CREEP/L-G** 1.73 [44.0] **STD.** IEEE C57.19.00/01

PCB CONTENT OF OIL IS LESS THAN 1 ppm

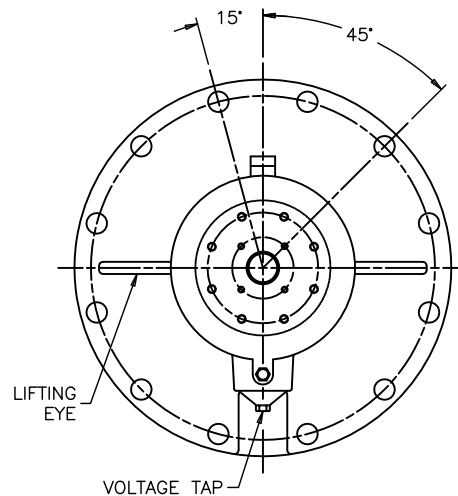
**TITLE** POC BUSHING

TRANSFORMER - BREAKER  
INTERCHANGEABLE

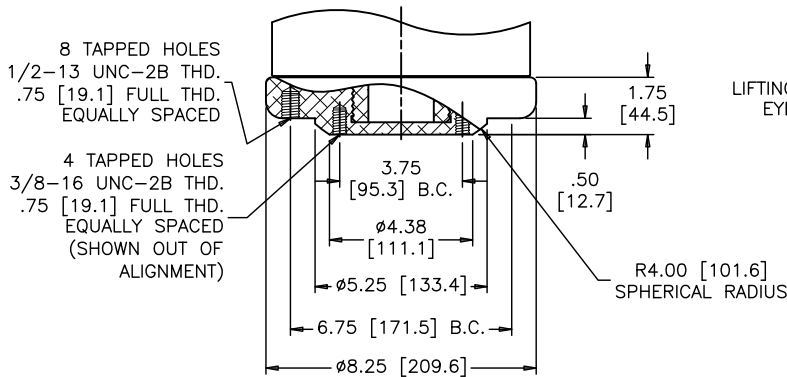
SILVER PLATED BRASS TOP TERMINAL  
3-12 THREAD TOP TERMINAL



ANGLE BETWEEN HOLES IN BOTTOM TERMINAL & IN FLANGE COINCIDE WITHIN ±2°



**ALIGNMENT OF FLANGE AND BOTTOM TERMINAL TO VIEW**



**BOTTOM TERMINAL DETAIL**

DIMENSIONS IN INCHES [MILLIMETERS]

**REVISION** UPDATED FORMAT, REDRAWN TO SCALE, REV. BOTTOM END CAP DETAIL, CREEP/L-G WAS CREEP/Uy, OIL CIR. BK. CURRENT RATING WAS 3000A

**SCALE** 1/16

NOTE TO PURCHASER:  
ALL SALES OF PCORE PRODUCTS ARE SUBJECT  
TO OUR STANDARD TERMS AND CONDITIONS  
AND THE LIMITED WARRANTIES THEREUNDER