



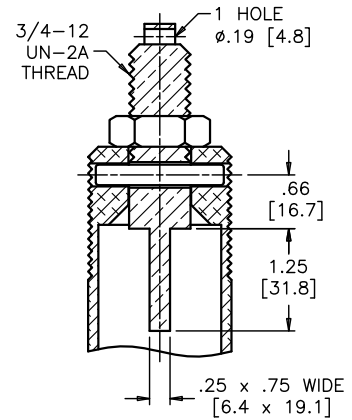
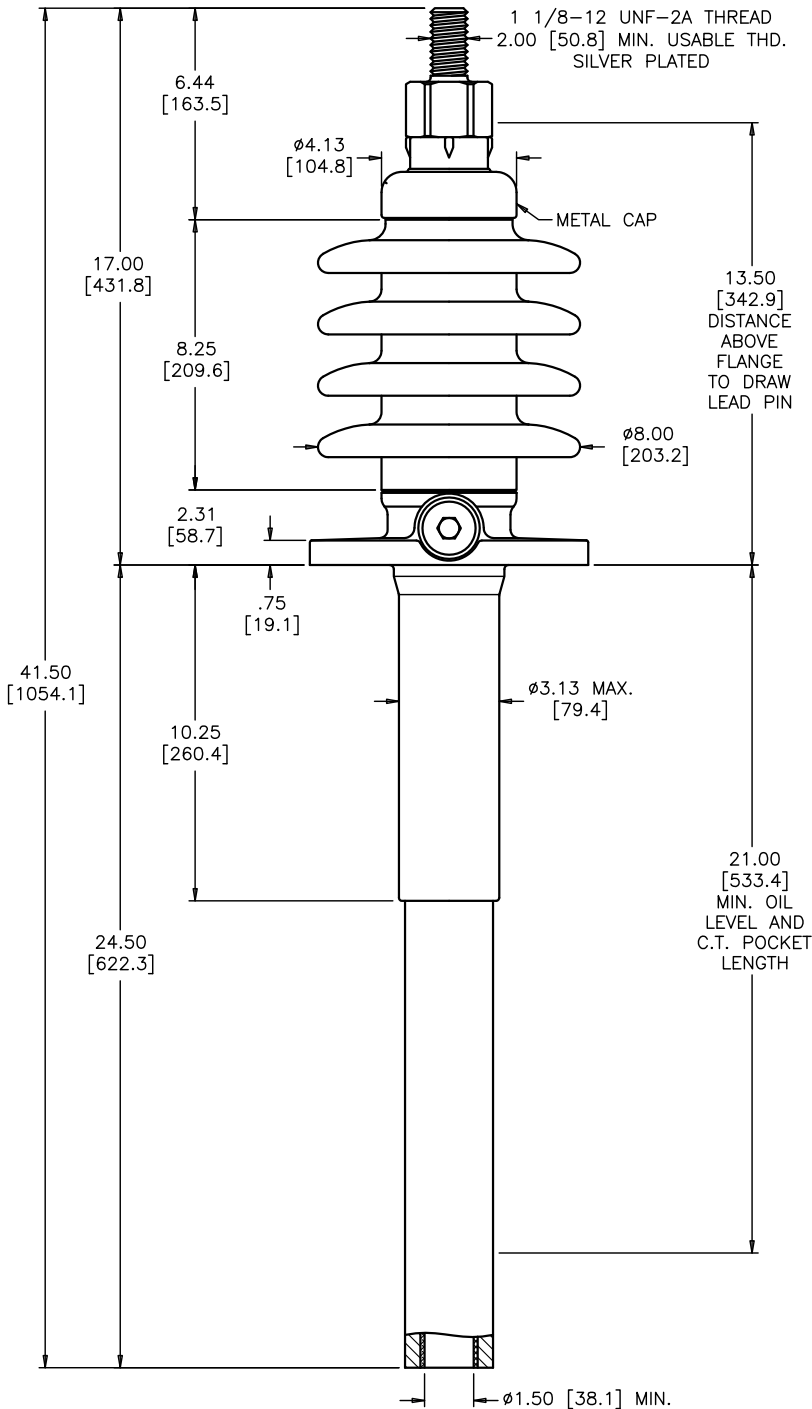
**PCORE**  
ELECTRIC

<b>KV CLASS</b>	15 kV	<b>BIL</b>	110 kV	<b>Uy</b>	10 kV
<b>CURRENT RATING</b>					
600 AMP DRAW LEAD CONNECTION					
<b>MIN. CREEP</b>	21.00 [533.4]	<b>MIN. STRIKE</b>	9.00 [228.6]		
<b>CREEP/L-G</b>	2.42 [61.6]	<b>STD.</b>	IEEE C57.19.00/01		
<b>REF</b>	B-89183				

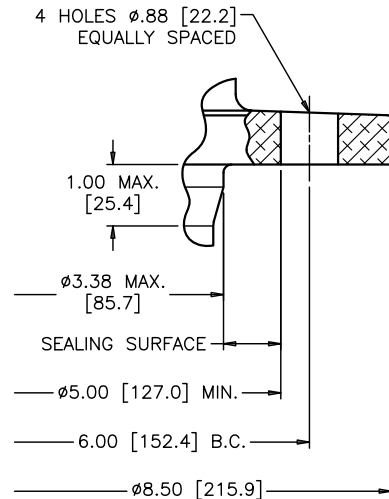
DWG.	CATALOG NUMBER	GLAZE COLOR
SD	PRC110C0600A	BROWN
SD	PRC110F0600A	LT. GRAY

<b>DATE</b>	4-20-17	<b>REV. DATE</b>	
<b>MAXIMUM ALTITUDE</b>	10000 ft [3000 m]		
<b>NET WEIGHT</b>	40 lb [18 kg]		
<b>ANGLE OF INCLINATION FROM THE VERTICAL</b>	0° TO 90°		

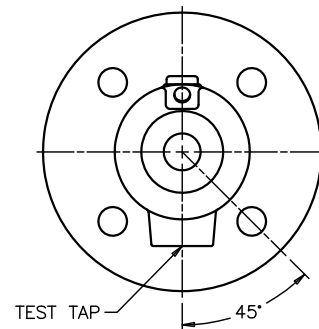
<b>TITLE</b>	PRC BUSHING
	OIL-FREE



**DRAW LEAD ASSEMBLY**



**MOUNTING FLANGE DETAIL**



**FLANGE ALIGNMENT DIAGRAM TOP VIEW**

DIMENSIONS IN INCHES [MILLIMETERS]

REVISION

SCALE 1/4

NOTE TO PURCHASER:  
ALL SALES OF PCORE PRODUCTS ARE SUBJECT  
TO OUR STANDARD TERMS AND CONDITIONS  
AND THE LIMITED WARRANTIES THEREUNDER