



PCORE
ELECTRIC

KV CLASS 15 kV BIL 110 kV U_y 10 kV

CURRENT RATING

600 AMP DRAW LEAD CONNECTION

DWG. CATALOG NUMBER GLAZE COLOR

SD PRC110C0600B BROWN

SD PRC110F0600B LT. GRAY

DATE 7-12-16 REV. DATE 5-1-17

MAXIMUM ALTITUDE 10000 ft [3000 m]

NET WEIGHT 30 lb [14 kg]

ANGLE OF INCLINATION FROM THE VERTICAL 0° TO 90°

MIN. CREEP 21.00 [533.4] MIN. STRIKE 9.00 [228.6]

CREEP/L-G 2.42 [61.6] STD. IEEE C57.19.00/01

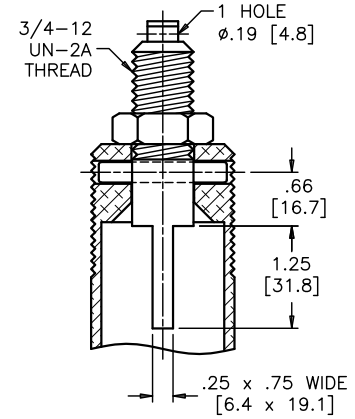
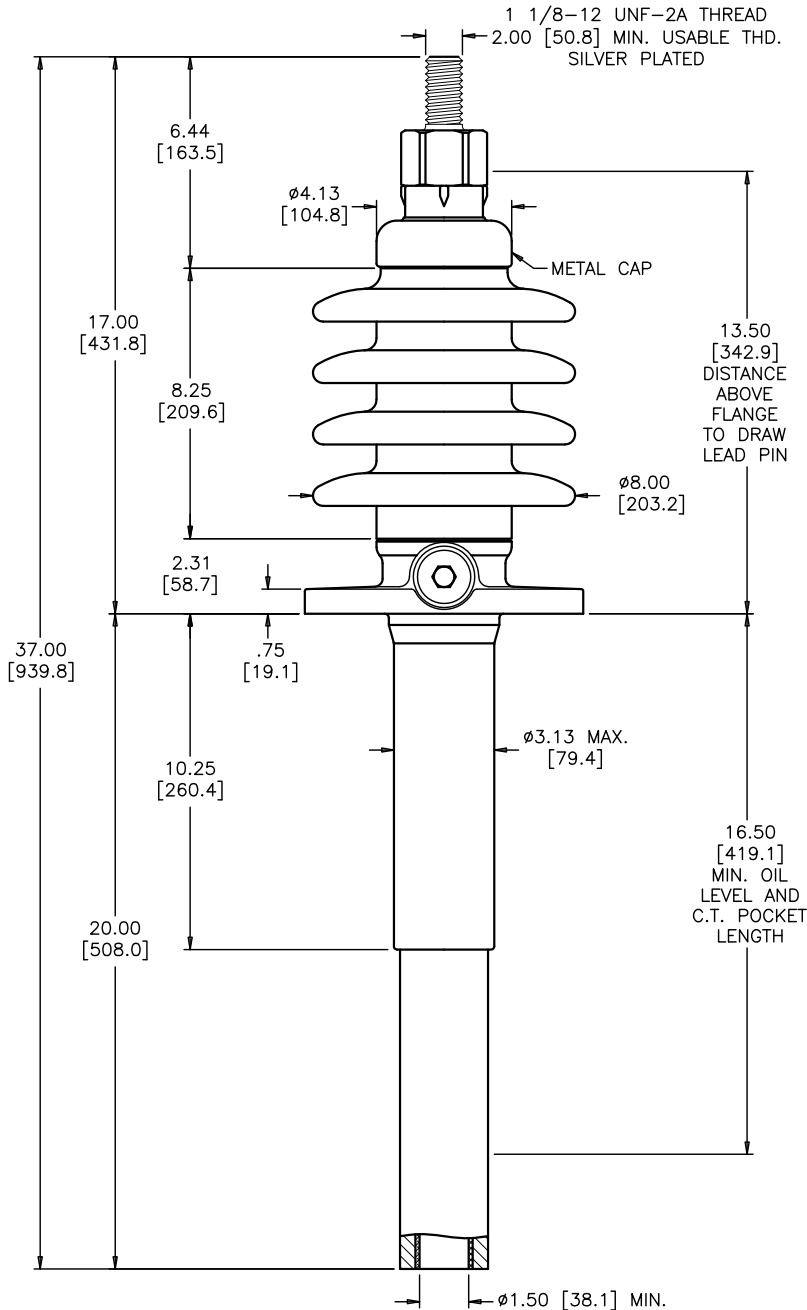
REF B-89181

TITLE

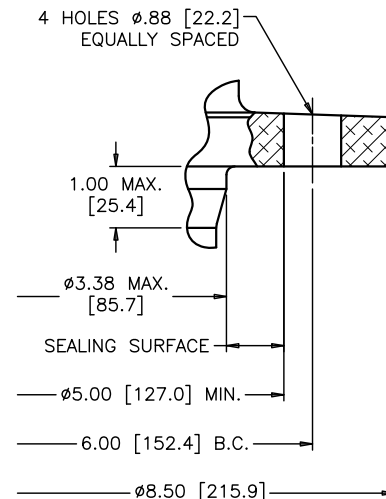
PRC BUSHING

OIL-FREE

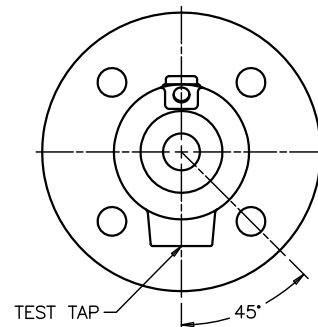
NOTE: ACTUAL DRAW LEAD CURRENT RATING IS DETERMINED BY CABLE SIZE.



DRAW LEAD ASSEMBLY



MOUNTING FLANGE DETAIL



**FLANGE ALIGNMENT DIAGRAM
TOP VIEW**

DIMENSIONS IN INCHES [MILLIMETERS]

REVISION REVISED DIM FOR TOP TERMINAL TO METAL CAP

SCALE 1/4

NOTE TO PURCHASER:
ALL SALES OF PCORE PRODUCTS ARE SUBJECT TO OUR STANDARD TERMS AND CONDITIONS AND THE LIMITED WARRANTIES THEREUNDER