



PCORE
ELECTRIC

KV CLASS 15 kV | **BIL** 110 kV | **Uy** 10 kV

CURRENT RATING

600 AMP DRAW LEAD CONNECTION

DWG. | **CATALOG NUMBER** | **GLAZE COLOR**

SD | PRC110C0600C | BROWN

SD | PRC110F0600C | LT. GRAY

DATE 4-20-17 | **REV. DATE**

MAXIMUM ALTITUDE 10000 ft [3000 m]

NET WEIGHT 35 lb [16 kg]

ANGLE OF INCLINATION FROM THE VERTICAL 0° TO 90°

MIN. CREEP 21.00 [533.4] | **MIN. STRIKE** 9.00 [228.6]

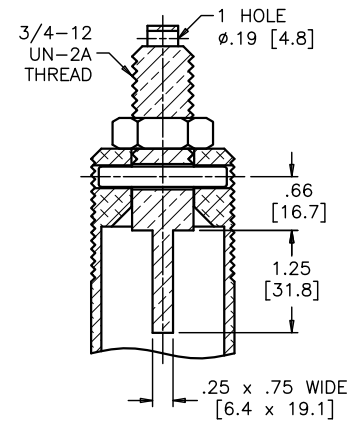
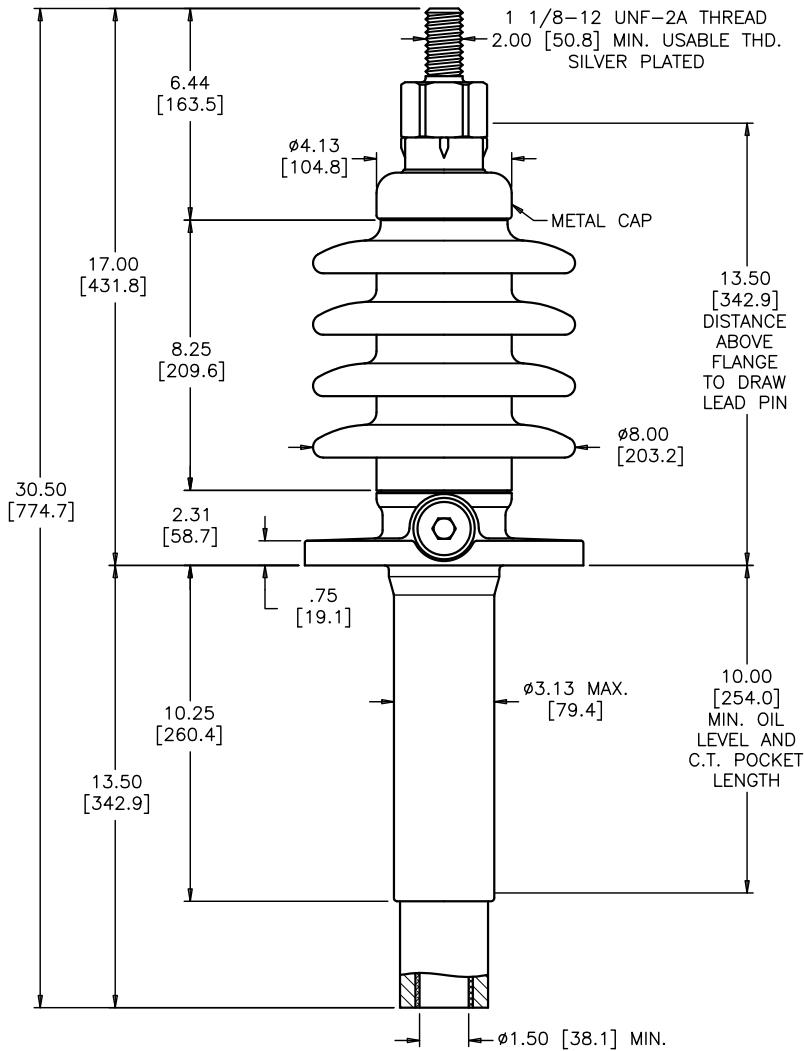
CREEP/L-G 2.42 [61.6] | **STD.** IEEE C57.19.00/01

REF B-89182

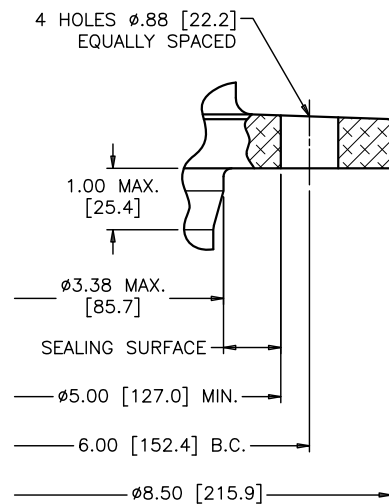
TITLE

PRC BUSHING

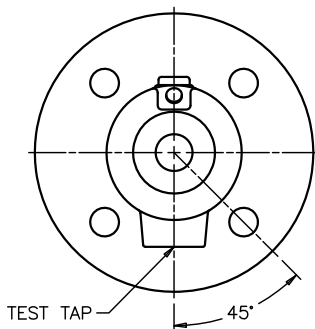
OIL-FREE



DRAW LEAD ASSEMBLY



MOUNTING FLANGE DETAIL



**FLANGE ALIGNMENT DIAGRAM
TOP VIEW**

DIMENSIONS IN INCHES [MILLIMETERS]

REVISION

SCALE 1/4

NOTE TO PURCHASER:
ALL SALES OF PCORE PRODUCTS ARE SUBJECT
TO OUR STANDARD TERMS AND CONDITIONS
AND THE LIMITED WARRANTIES THEREUNDER