



PCORE
ELECTRIC

KV CLASS 15 kV BIL 110 kV Uy 10 kV

CURRENT RATING

2000 AMP BOTTOM CONNECTION

DWG. CATALOG NUMBER GLAZE COLOR

SD PRC110C2000B BROWN

SD PRC110F2000B LT. GRAY

DATE 7-12-16 REV. DATE 8-23-16

MAXIMUM ALTITUDE 10000 ft [3000 m]

NET WEIGHT 54 lb [24 kg]

ANGLE OF INCLINATION FROM THE VERTICAL 0° TO 90°

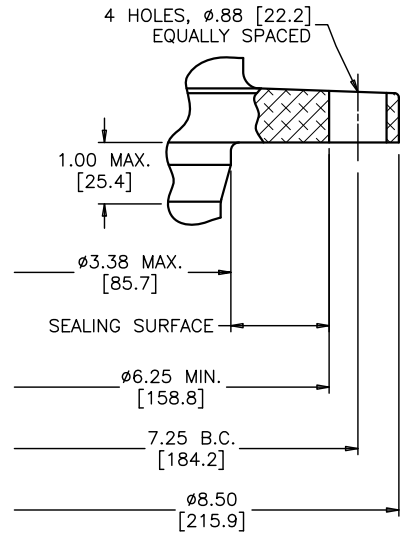
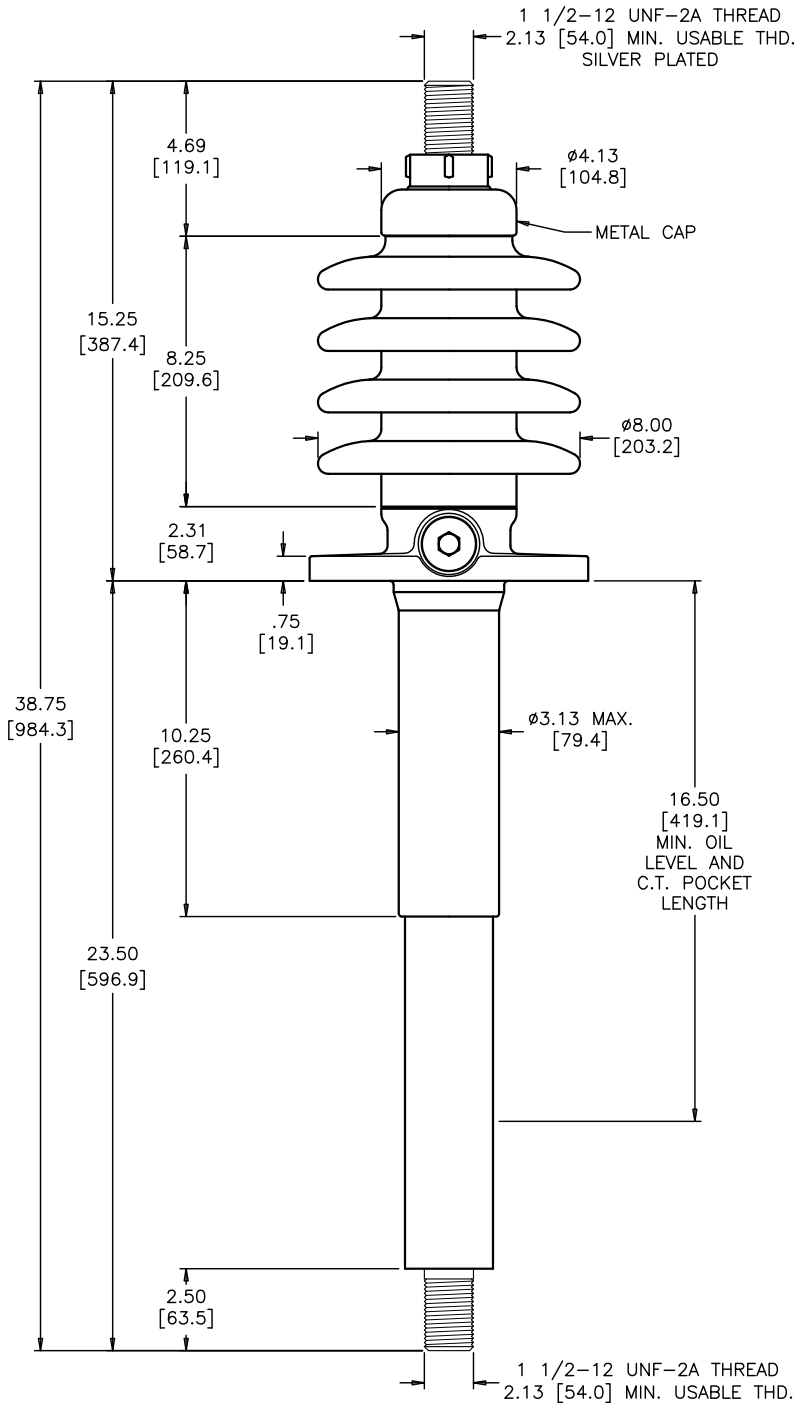
MIN. CREEP 21.00 [533.4] MIN. STRIKE 9.00 [228.6]

CREEP/L-G 2.42 [61.6] STD. IEEE C57.19.00/01

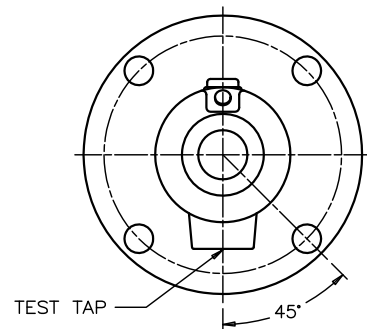
REF B-89121

TITLE

PRC BUSHING
OIL-FREE



MOUNTING FLANGE DETAIL



**FLANGE ALIGNMENT DIAGRAM
TOP VIEW**

DIMENSIONS IN INCHES [MILLIMETERS]

REVISION REVISED STYLE OF TANK PLUG

SCALE 1/4

NOTE TO PURCHASER:
ALL SALES OF PCORE PRODUCTS ARE SUBJECT
TO OUR STANDARD TERMS AND CONDITIONS
AND THE LIMITED WARRANTIES THEREUNDER