



PCORE
ELECTRIC

KV CLASS 15 kV | **BIL** 110 kV | **Uy** 10 kV

CURRENT RATING

2000 AMP BOTTOM CONNECTION

DWG. | **CATALOG NUMBER** | **GLAZE COLOR**

SD | PRC110C2000C | BROWN

SD | PRC110F2000C | LT. GRAY

TITLE

PRC BUSHING

OIL-FREE

DATE 4-20-17 | **REV. DATE**

MAXIMUM ALTITUDE 10000 ft [3000 m]

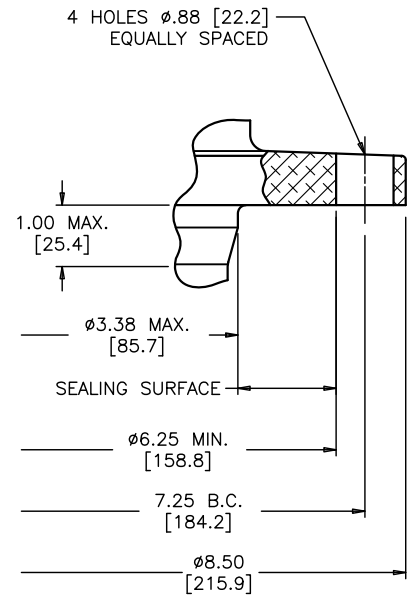
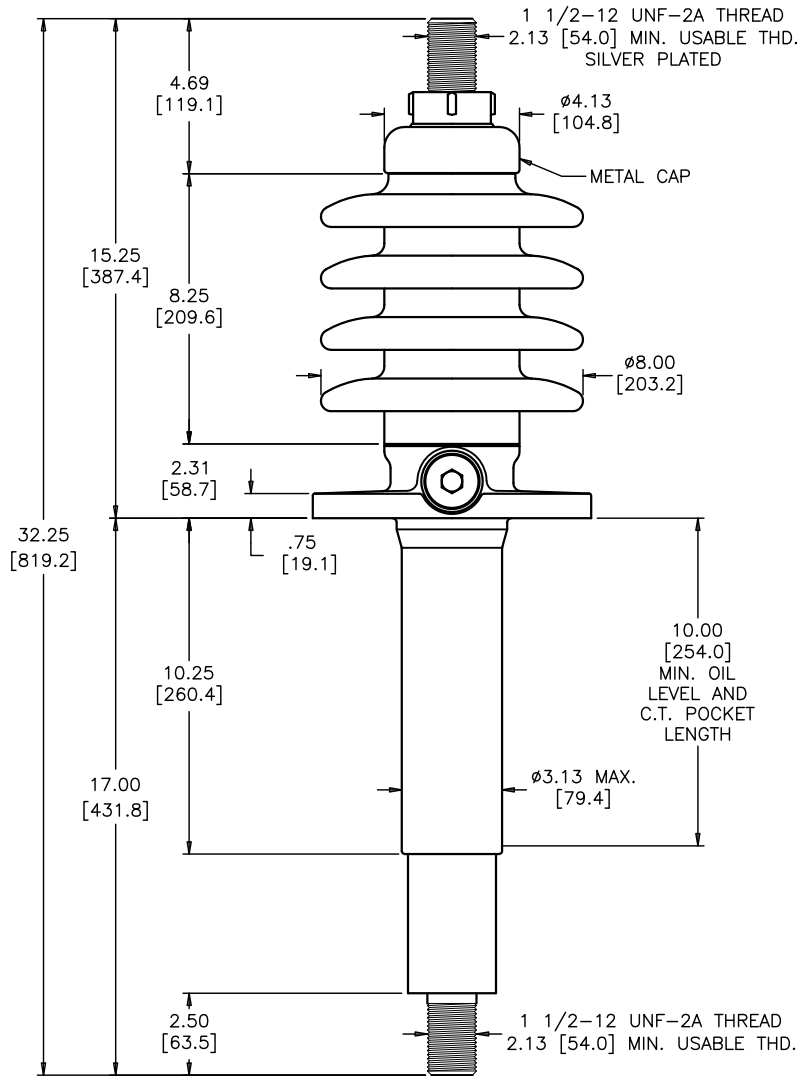
NET WEIGHT 54 lb [24 kg]

ANGLE OF INCLINATION FROM THE VERTICAL 0° TO 90°

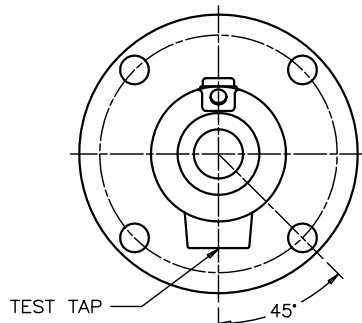
MIN. CREEP 21.00 [533.4] | **MIN. STRIKE** 9.00 [228.6]

CREEP/L-G 2.42 [61.6] | **STD.** IEEE C57.19.00/01

REF B-89122



MOUNTING FLANGE DETAIL



**FLANGE ALIGNMENT DIAGRAM
TOP VIEW**

DIMENSIONS IN INCHES [MILLIMETERS]

REVISION

SCALE 1/4

NOTE TO PURCHASER:
ALL SALES OF PCORE PRODUCTS ARE SUBJECT
TO OUR STANDARD TERMS AND CONDITIONS
AND THE LIMITED WARRANTIES THEREUNDER