



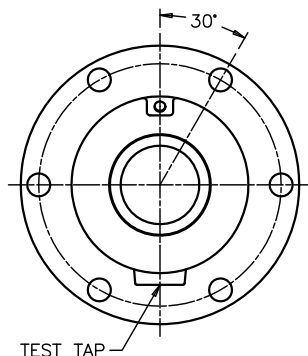
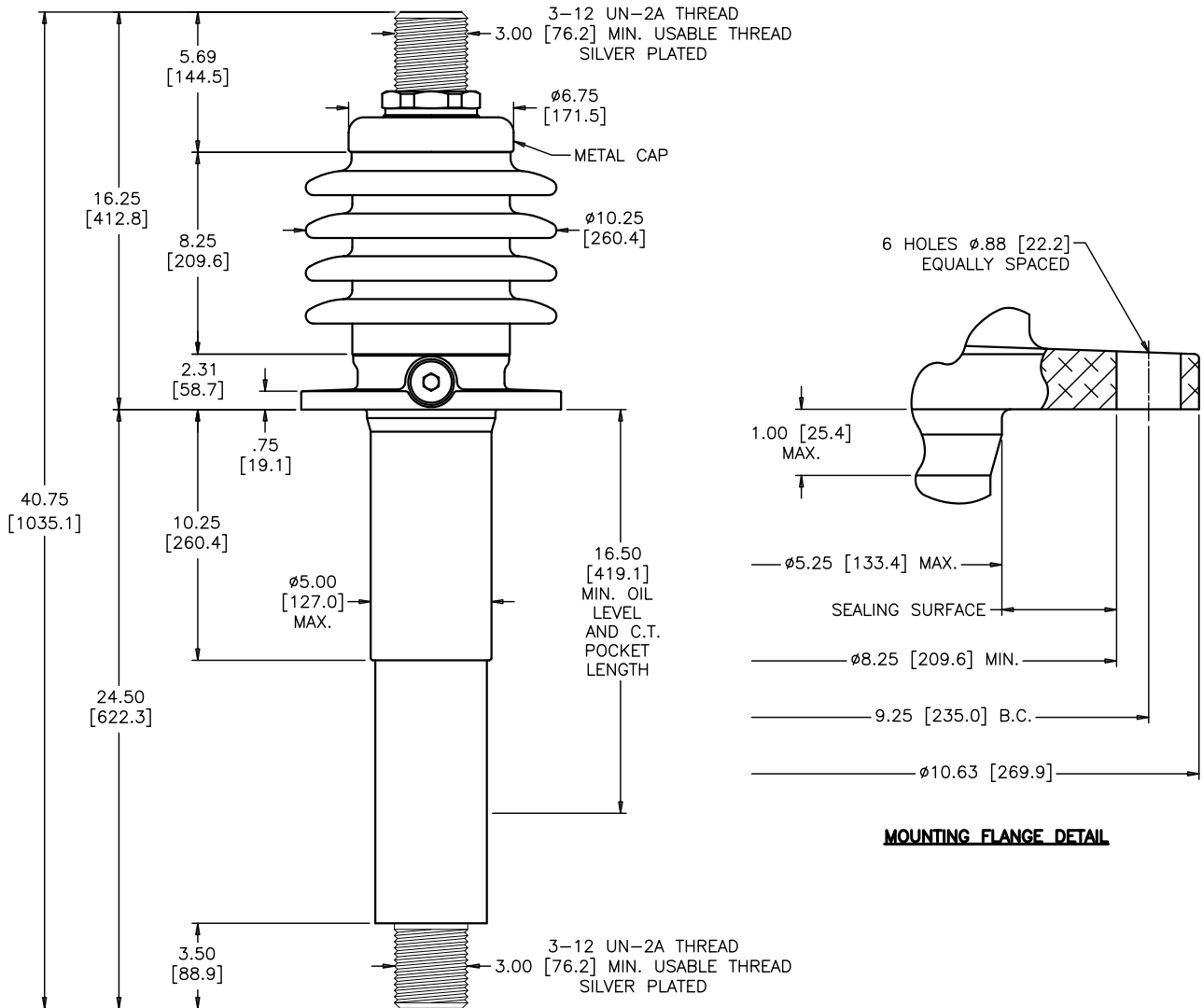
PCORE
ELECTRIC

KV CLASS	15 kV	BIL	110 kV	Uy	10 kV
CURRENT RATING					
3000 AMP BOTTOM CONNECTION					
MIN. CREEP	20.50 [520.7]	MIN. STRIKE	9.00 [228.6]		
CREEP/L-G	2.37 [60.1]	STD.	IEEE C57.19.00/01		
REF	B-89131				

DWG.	CATALOG NUMBER	GLAZE COLOR
SD	PRC110C3000B	BROWN
SD	PRC110F3000B	LT. GRAY

DATE	REV. DATE
4-28-17	
MAXIMUM ALTITUDE	10000 ft [3000 m]
NET WEIGHT	115 lb [52 kg]
ANGLE OF INCLINATION FROM THE VERTICAL	0° TO 90°

TITLE
PRC BUSHING
OIL-FREE



FLANGE ALIGNMENT DIAGRAM
TOP VIEW

DIMENSIONS IN INCHES [MILLIMETERS]

REVISION

SCALE 1/5

NOTE TO PURCHASER:
ALL SALES OF PCORE PRODUCTS ARE SUBJECT
TO OUR STANDARD TERMS AND CONDITIONS
AND THE LIMITED WARRANTIES THEREUNDER