



PCORE
ELECTRIC

KV CLASS 25 kV **BIL** 150 kV **Uy** 16 kV

CURRENT RATING

2000 AMP BOTTOM CONNECTION

DWG. **CATALOG NUMBER** **GLAZE COLOR**

SD PRC150C2000B BROWN

SD PRC150F2000B LT. GRAY

TITLE

PRC BUSHING

OIL-FREE

DATE 7-24-17 **REV. DATE**

MAXIMUM ALTITUDE 10000 ft [3000 m]

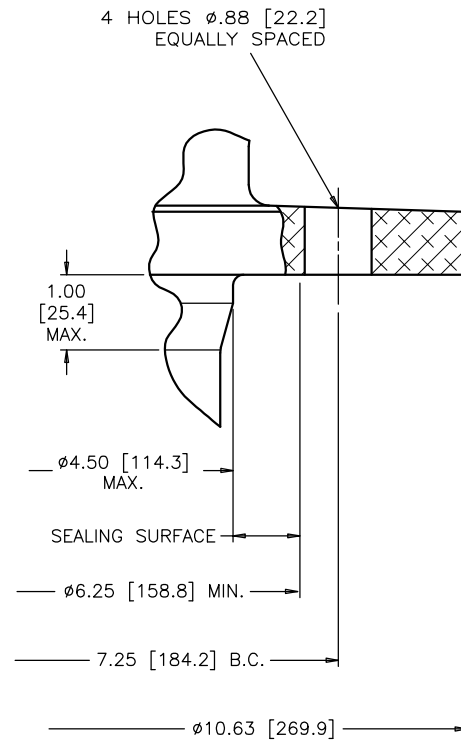
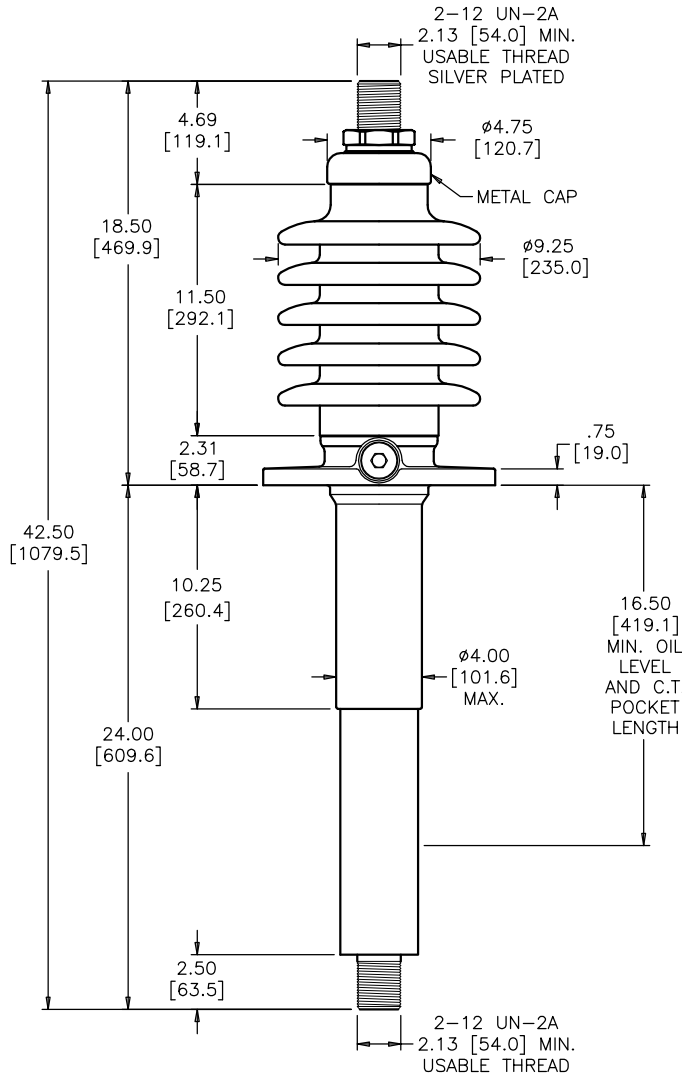
NET WEIGHT 97 lb [44 kg]

ANGLE OF INCLINATION FROM THE VERTICAL 0° TO 90°

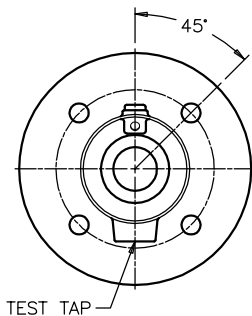
MIN. CREEP 27.50 [698.5] **MIN. STRIKE** 13.00 [330.2]

CREEP/L-G 1.91 [48.4] **STD.** IEEE C57.19.00/01

REF B-89221



MOUNTING FLANGE



**FLANGE ALIGNMENT DIAGRAM
TOP VIEW**

DIMENSIONS IN INCHES [MILLIMETERS]

REVISION

SCALE 1/6

NOTE TO PURCHASER:
ALL SALES OF PCORE PRODUCTS ARE SUBJECT
TO OUR STANDARD TERMS AND CONDITIONS
AND THE LIMITED WARRANTIES THEREUNDER